

Axiovert 25 / 25 C / 25 CFL Inverted Microscope

Operating Manual



Knowledge of this manual is required for the operation of the instrument. Would you therefore please make yourself familiar with the contents of this manual and pay special attention to hints concerning the safe operation of the instrument.

The specifications are subject to change; the manual is not covered by an update service.

© Unless expressly authorized, forwarding and duplication of this document, and the utilization and communication of its contents are not permitted. Violations will entail an obligation to pay compensation.

All rights reserved in the event of granting of patents or registration of a utility model.

Issued by:

Carl Zeiss
Microscopy
D-07740 Jena
Phone: ++49-36 41 64-16 16
Telefax: ++49-36 41 64-31 44
E-mail: micro@zeiss.de
Internet: www.zeiss.de/micro

Number of this manual: B 40-012 e

Date of issue: 08/99



TABLE OF CONTENTS

	Page
Title page	
Copyright	
Table of contents	I
List of figures	IV
Note	VI
General View	VII
Hints on instrument safety	IX
1	DESCRIPTION
1.1	Designation, purpose
1.2	Description of the unit
1.2.1	Mechanical design
1.2.2	Optical design
1.3	Technical data
1.4	Overview of components
1.4.1	Microscope configurations
1.4.2	Accessories for the microscope configurations
1.5	Function elements



		Page
2	OPERATION	
2.1	Assembly of the instrument	2-1
2.1.1	Unpacking	2-1
2.1.2	Installation	2-2
2.2	Start-up	2-8
2.3	Use of LD objectives	2-9
2.4	Illumination and contrasting techniques	2-10
2.4.1	Use of condensers	2-10
2.4.2	Brightfield illumination	2-11
2.4.3	Phase contrast	2-12
2.4.4	VAREL contrast	2-14
2.4.5	Reflected light fluorescence	2-16
2.5	Working with the specimen guide M and holding frames	2-17
2.6	Using the adjustable eyepiece	2-19
2.7	Working with micromanipulators	2-20
2.8	Stage replacement	2-21
2.8.1	Glass stage	2-22
2.8.2	Heating stage	2-22
2.9	Documentation	2-23
2.9.1	Photomicrography	2-23
2.9.2	Video microscopy	2-24



	Page
3	MAINTENANCE AND TROUBLESHOOTING
3.1	Maintenance 3-1
3.2	Troubleshooting and service 3-2
 ANNEX	
–	List of key words A-3
–	List of abbreviations A-7
–	Certification in accordance with DIN ISO 9001/EN 29001/EN 46001 A-9
–	EC conformity declaration A-11

LIST OF FIGURES

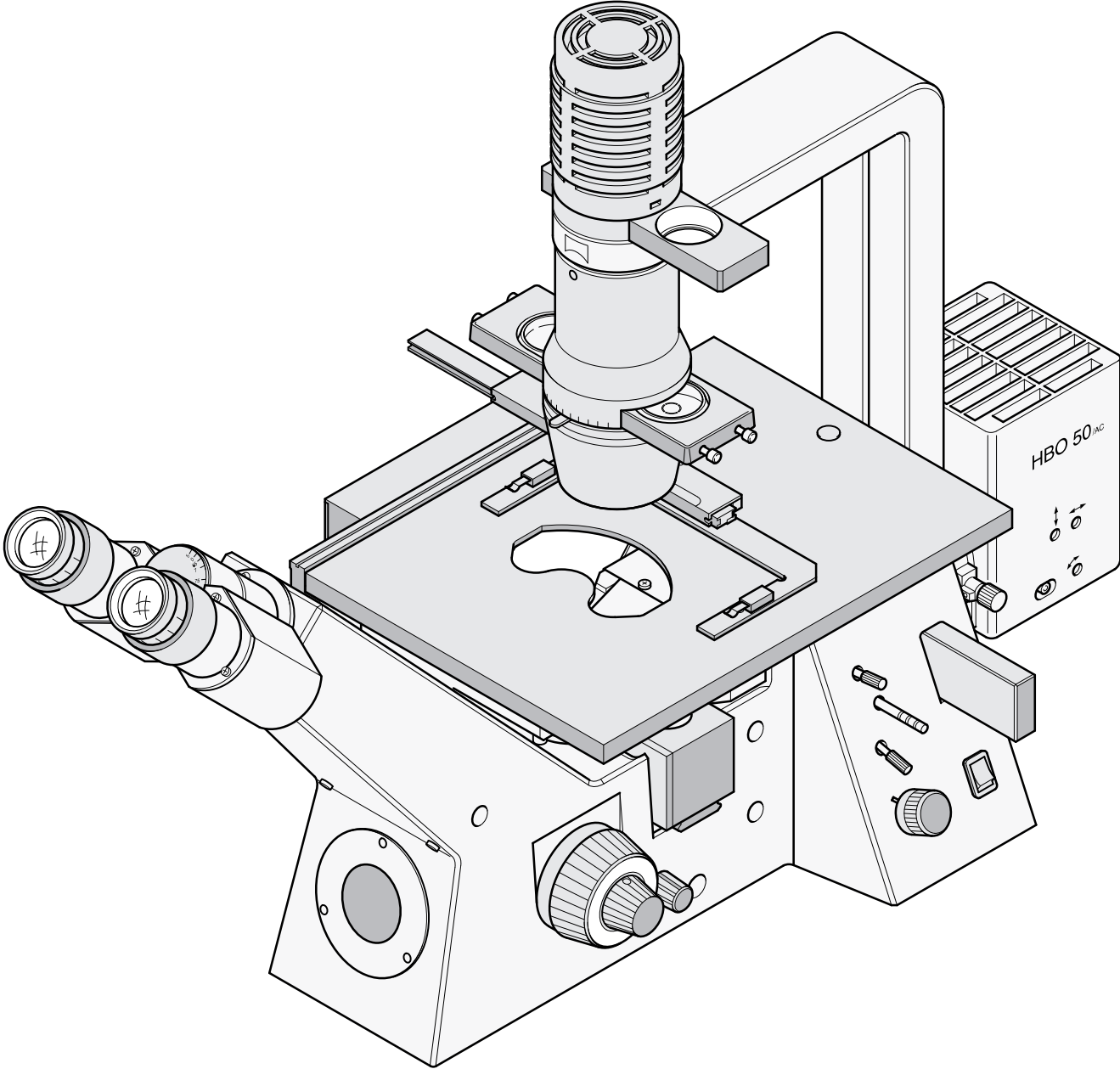
	Page
Figure 1-1	Main modules of the Axiovert 25 and Axiovert 25 CFL models 1-3
Figure 1-2	Optical design of the Axiovert 25 1-4
Figure 1-3/1	Axiovert 25 configurations 1-10
Figure 1-3/2	Axiovert 25 configurations 1-11
Figure 1-3/3	Axiovert 25 configurations 1-12
Figure 1-4/1	Accessories for the Axiovert 25 configurations 1-16
Figure 1-4/2	Accessories for the Axiovert 25 configurations 1-17
Figure 1-5	Function elements of the Axiovert 25 1-20
Figure 1-6	Function elements of the Axiovert 25 C 1-21
Figure 1-7	Function elements of the Axiovert 25 CFL 1-22
Figure 2-1	Packing units of the Axiovert 25 2-1
Figure 2-2	Unpacking and installation 2-2
Figure 2-3	Screwing in of objectives 2-2
Figure 2-4	Inserting ring diaphragm sliders 2-3
Figure 2-5	Attachment of the HBO 50 illuminator 2-3
Figure 2-6	Attachment of the specimen guide M 2-4
Figure 2-7	Connection to the line 2-5
Figure 2-8	Inserting the eyepieces 2-6
Figure 2-9	Positions of the binocular tube 2-7
Figure 2-10	Inserting an eyepiece reticle 2-7
Figure 2-11	Positioning and switching on the instrument 2-8
Figure 2-12	Working with LD objectives 2-9
Figure 2-13	Condenser 0.55 2-11
Figure 2-14	Various modes of brightfield illumination 2-11
Figure 2-15	Viewing in phase contract 2-12
Figure 2-16	Illustration of phase contrast adjustment 2-12
Figure 2-17	Inserting of the ring diaphragm 2-13
Figure 2-18	VAREL contrast observation 2-14

	Page
Figure 2-19 VAREL contrast with microtiter plates	2-14
Figure 2-20 Pupil images with VAREL contrast	2-15
Figure 2-21 Var/H/Var slider.....	2-15
Figure 2-22 Observation under reflected light fluorescence	2-16
Figure 2-23 Working with specimen guide M	2-17
Figure 2-24 Selection of available holding frames	2-18
Figure 2-25 Selected eyepiece or object measuring plates	2-19
Figure 2-26 Possibilities of screwing on micromanipulators	2-20
Figure 2-27 Replacing the stage	2-21
Figure 2-28 Inserting of the glass stage	2-22
Figure 2-29 CONTAX 167 MT camera	2-23
Figure 2-30 Video attachment	2-24
Figure 3-1 Checking the line voltage	3-2
Figure 3-2 Change of halogen lamp	3-3
Figure 3-3 HBO 50 illuminator and line spectrum	3-4
Figure 3-4 Change of HBO 50 lamp	3-5
Figure 3-5 Adjustment of HBO 50	3-7
Figure 3-6 Lamp image	3-7
Figure 3-7 Operating the FI reflector module	3-9

NOTE

- The figures integrated in the text are numbered and captioned; "Figure 2-8" for example, refers to figure No. 8 in section 2. For items mentioned in the text, a slash and an item number are added. For example, "eyepiece tube (2-8/4)" means that the eyepiece tube in figure 8 in section 2 is marked with the item number 4.
- Abbreviations are explained in the appendix.
- This operating manual refers to the Axiovert 25 configurations (see section 1.4) including accessories.
The major part of this manual is also applicable for other instrument models.

GENERAL VIEW



Axiovert 25 CFL



Axiovert 25, Axiovert 25 C, Axiovert 25 CFL

HINTS ON INSTRUMENT SAFETY

The Axiovert 25 microscopes and their original accessories may be used only for the microscopy techniques described in this manual.

The manufacturer cannot take liability for any other application, including that of individual modules or components. This also applies to all servicing and repair work which has not been performed by authorized service personnel. Furthermore, this forfeits all warranty claims also for those parts which were not directly covered by the repair.

Special note should be taken of the following warnings:

- ☞ The Axiovert 25 microscopes have been designed, produced and tested in compliance with DIN EN 61010-1 (IEC 1010-1), "Safety regulations for electrical measuring, control and laboratory instruments", including the relevant CSA and UL directives, and left the factory in a perfect state with regard to its safety facilities.
This operating manual includes information and warnings which must be observed by the user.
- ☞ The Axiovert 25 microscopes have been designed, in compliance with the latest scientific and technical development, for the visual, photomicrographic and videotechnological examination of specimens. The instruments may only be used for their intended application and have not been designed for unattended constant operation!
- ☞ The microscopes are not equipped with any special devices for protection from substances which are corrosive, toxic, radioactive or otherwise hazardous to health.
- ☞ The wide range power unit which is integrated in the stand of the microscope permits the use of line voltages in the range between 100 and 240 V AC $\pm 10\%$, 50 - 60 Hz, without the need for the voltage to be changed at the instrument.
- ☞ The Axiovert 25 microscopes are categorized as Protection Class I Equipment.
The power plug must be inserted in a socket featuring a grounding (earth) contact. The grounding effect must not be nullified by an extension cable which does not have a protective ground wire. If a transformer is used to adapt the line voltage, it may not nullify the effect of the ground wire.
Any nullification of the ground wire inside or outside the instrument, or the separation of the earth contact, may cause danger for the user and is therefore not permitted.

- ☞ When the microscopes have been connected to the line, connecting clamps inside the instrument may contain dangerous voltage, and the opening of covers or the removal of components (if not required for a function) may expose components containing dangerous voltage. Therefore, the instrument must be disconnected from the line before it is opened for adjustment, change of components, maintenance or repair.
If adjustment, maintenance or repair of the live instrument cannot be avoided, this must be performed by specialized personnel who is aware of the danger involved.
- ☞ The effect of existing ventilation slats on the lamp housings must not be nullified by covers. This also applies to ventilation slats on the instrument rear. Tools, objects of any kind and liquids must not enter the instrument via the ventilation slats or other instrument openings.
Always disconnect the instrument from the line before changing the lamp and allow the lamp to cool down to room temperature (cooling time approx. 15 min).
The lamp housings sometimes exhibit overtemperature during operation and must therefore not be touched. If the lamp housing is opened while it is still hot, the touching of the lamp and the components in its vicinity must be avoided under all circumstances.
- ☞ In unfavorable circumstances and with improper use, gas discharge lamps can explode, flinging splinters of glass through the air and causing possible injury. Therefore, it is imperative that the safety and operating instructions of the manufacturer of the gas discharge lamp be followed. Gas discharge lamps emit ultraviolet radiation which can cause burns on the eyes and skin. Never look directly into the light of these lamps and avoid direct, unprotected incidence of their light on your skin. When using the microscope, always use the protective devices belonging to the instrument, e.g. special attenuation filters.
Gas discharge lamps are contained, for example, in our microscope illuminators HBO 50, HBO 100 and XBO 75. For the relevant safety instructions and warnings please see the operating manuals of these lamps.
- ☞ To avoid the danger of glare of the eyes, an attenuation filter must always be inserted in the beam path. It may be removed from the beam path only if the light intensity is too low.
- ☞ When replacing the instrument fuses, make sure to use only those of the rated power required and the type indicated. The use of makeshift fuses and the short-circuiting of the fuse holders are not permitted.
- ☞ If it is established that the protection measures are no longer effective, the instrument must be put out of operation and secured against unintentional operation. Authorized service personnel or the manufacturer must be contacted for the repair of the microscope.

☞ Instrument configuration is subject to change.

1 Description

1.1 Designation, purpose

Manufacturer's designation: Axiovert 25 inverted transmitted light microscope

The Axiovert 25 fits in the product family of inverted transmitted light microscopes as follows:

Laboratory microscopes

- Axiovert 25
- Axiovert 25 C
- Axiovert 25 CFL

Research microscopes

- Axiovert 100
- Axiovert 135
- Axiovert 135 M

The Axiovert 25 microscopes are universally applicable typical light microscopes of inverted design for routine analyses of cell and tissue cultures and of sediments in culture bottles, Petri dishes, microtiter plates, etc. in transmitted and fluorescent reflected light.

The following microscopy methods are possible:

- in transmitted light
 - brightfield illumination
 - phase contrast
 - VAREL contrast
 - inclined brightfield illumination
 - one-sided darkfield illumination
- in reflected light
 - fluorescence, simultaneously with or as an alternative to the transmitted light techniques

1.2 Description of the unit

The Axiovert 25 microscopes are supplied as high-performance desktop units with 3 different microscope stands:

- **Axiovert 25** Inverted transmitted light microscope with HAL 6 V, 30 W illumination
- **Axiovert 25 C** Inverted transmitted light microscope with HAL 6 V, 30 W illumination and documentation
- **Axiovert 25 CFL** Inverted transmitted/reflected light microscope with HBO 50 simultaneous with 6 V, 30 W illumination and documentation



Major instrument features are:

- Modular design for the optimum performance of application tasks
- Stand featuring a compact design, high operating convenience thanks to a stage height of only 188 mm and low-mounted controls
- Integrated 6 V, 30 W power supply
- Continuous sly variable illuminance
- Upright, uninverted images
- Fixed Köhler illumination, changeable condenser, numeric apertures of 0.55, 0.4 or 0.2 and working distances of ≥ 31 mm, ≥ 53 mm or ≥ 90 mm; brightfield illumination for large object fields and vessel heights of up to 190 mm
- User-friendly phase contrast by means of a ring diaphragm slider supplied with two ring diaphragms
- Brightness compensation for dazzle-free changeover between phase contrast and brightfield illumination by means of an attenuation filter
- VAREL contrast (variable relief contrast) with continuous transition to darkfield and brightfield and contrasting of cavities of the microtiter plates up to the edge without special preparations
- VAREL contrast with simple changeover to phase contrast or brightfield featuring brightness compensation
- Reflected light fluorescence contrast as an alternative to or simultaneously with all transmitted light contrast techniques
- Possibility of using reflected light fluorescence for the required application by replacing the fluorescence filter combination
- Versatile stage application due to attachment of the specimen guide
- Use of different holding frames including marking bars for various culture vessels
- Fixed stage can be replaced by a heating stage or a glass stage to meet high cleanliness is on demand
- Customized user interface for lenses, eyepieces and lamps
- Photo/video port for 2.5x/T2 camera adapter (SLR camera) or C and ENG 1/2" 0.5x video adapters

1.2.1 Mechanical design

Axiovert 25

- Featuring an integrated wide range power supply for 6 V, 30 W illumination without the need for the voltage to be changed at the instrument
- 0.55, 0.4 or 0.2 condenser; replaceable and movable
- Featuring coaxial coarse and fine drive, with focusing acting on the lens turret
- Binocular tube adjustable to two heights with one fixed and one adjustable eyepiece
- 5-fold lens turret
- With specimen stage, prepared for fitting the specimen guide with the possibility of using different holding frames
- With phase contrast slider

Axiovert 25 C

- Same as Axiovert 25
- Binocular tube with two adjustable eyepieces
- With photo/video port

Axiovert 25 CFL

- Same as Axiovert 25 C
- With reflected light fluorescence illumination using HBO 50 and reflectors with fluorescence filter sets

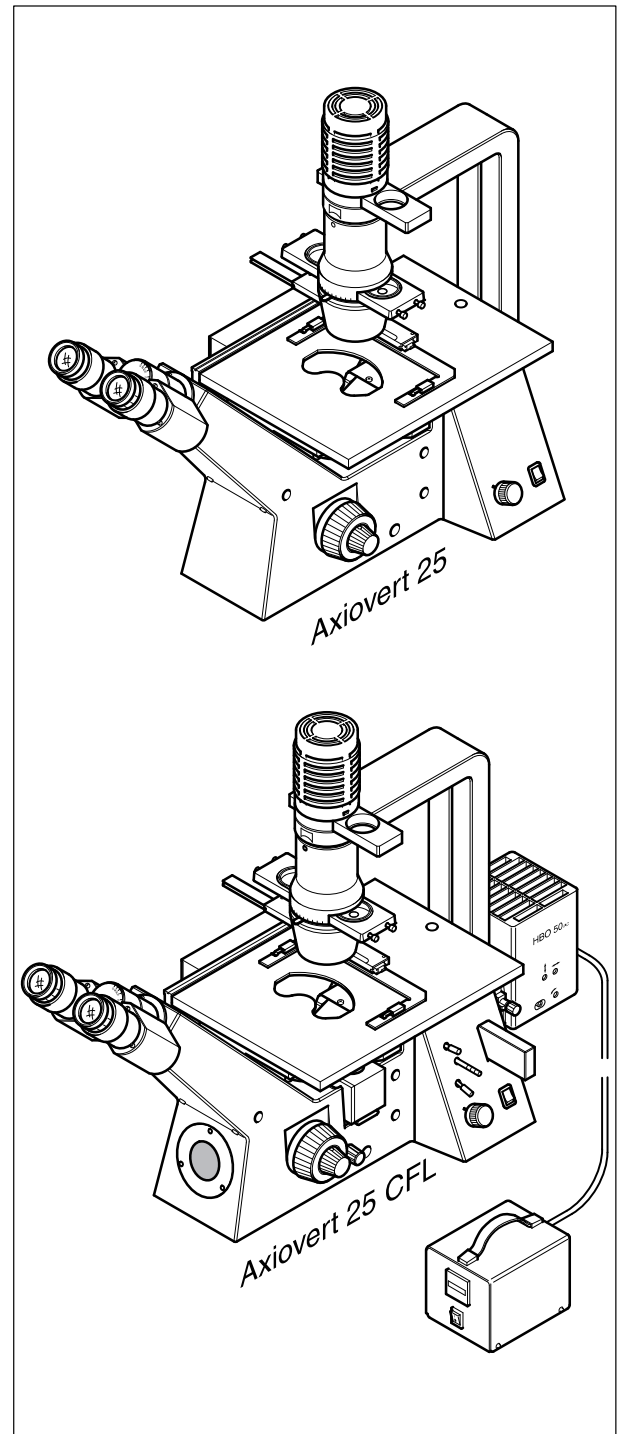


Figure 1-1 Main modules of the Axiovert 25 and Axiovert 25 CFL models

1.2.2 Optical design (shown using the example of the Axiovert 25 CFL)

The time-tried ICS optics (Infinity Colour-corrected System) guarantee high optical performance for all methods (up to field number 20, tube factor 1x). Different combinations of lenses and eyepieces allow optimum performance of the intended application.

Depending on the configuration, the Axiovert 25 microscopes are equipped with a 6 V, 30 W halogen lamp and an HBO 50.

A universal port is available for documentation. Type-specific adapter modules are offered for microphotography and video microscopy.

The right color temperature for color photography is achieved automatically at the full lamp voltage.

A selector switch is used to set the beam splitter to 100 % for viewing or 100 % for documentation.

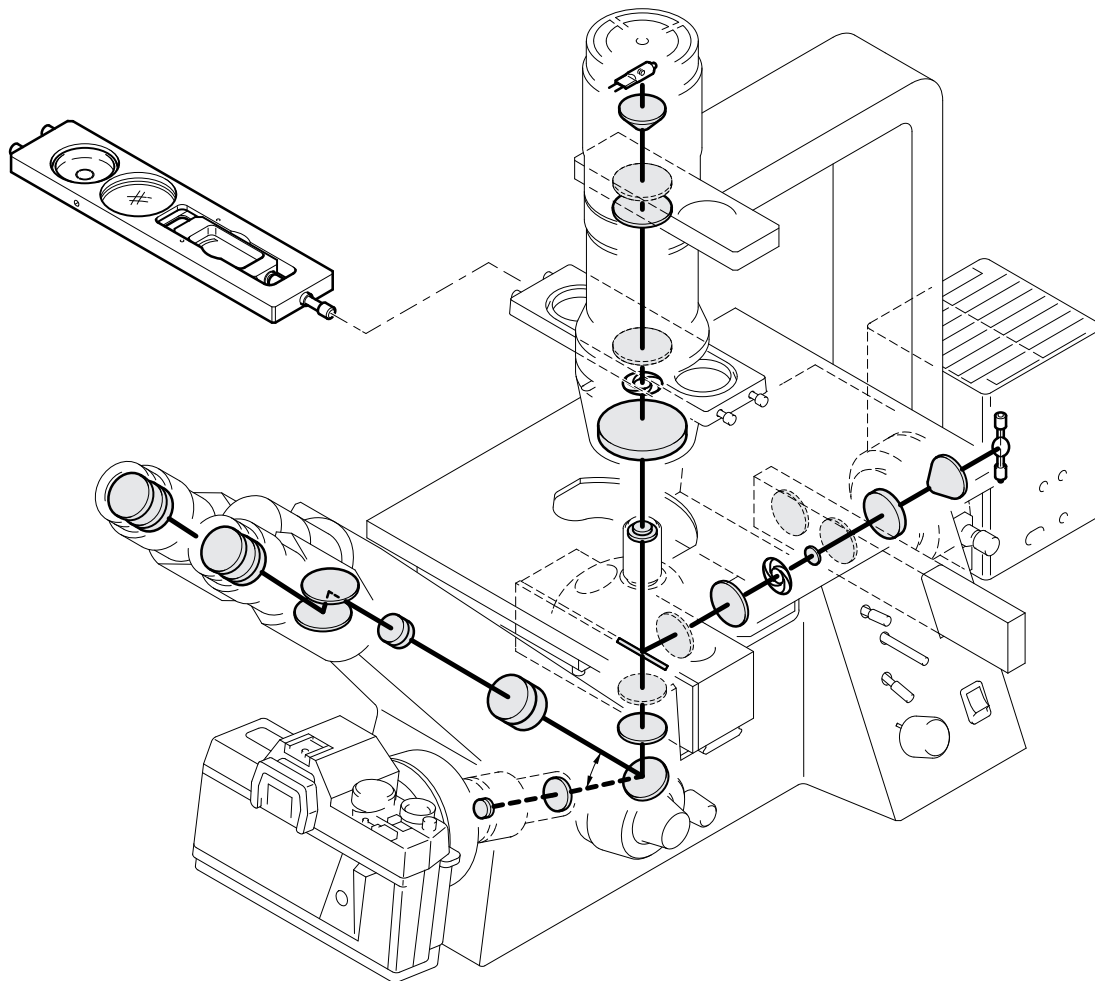


Figure 1-2 Optical design of the Axiovert 25



1.3 Technical data

(1) Dimensions and weight

Dimensions (width x depth x height)

Axiovert 25	245 x 570 x 510 mm
Axiovert 25 C	245 x 570 x 510 mm
Axiovert 25 CFL	245 x 680 x 510 mm

Area required on table

Axiovert 25	245 x 360 mm
Axiovert 25 C	245 x 360 mm
Axiovert 25 CFL	245 x 360 mm
Power supply unit for HBO 50	150 x 200 mm

Weight

Axiovert 25	approx. 13 kg
Axiovert 25 C	approx. 14 kg
Axiovert 25 CFL	approx. 16 kg

(2) Ambient conditions

Storage and transport (in packaging)

Permissible ambient temperature	-40 to +70 °C
Permissible relative humidity	≤ 100 %

Operation

Permissible ambient temperature	+10 to +35 °C
Permissible relative humidity	≤ 85 %

(3) Operating data

Class of use	closed rooms
Class of protection	SK 1
Type of protection	IP 20
Instrument safety	acc. IEC 1010-1, taking CSA and UL specifications into account
Radio interference suppression	acc. EN 55011 Class B
Interference resistance	acc. EN 50082-1
CE – the unit meets the requirements of EC directive 89336/EWG and the EMC legislation of 09.11.92 (also see EC conformity declaration, Annex p. A-5)	



Line voltage	100 ... 240 V AC \pm 10 %
Line frequency	50/60 Hz
Label of voltage range	on rear of unit
Power consumption of the internal power supply unit	max. 80 VA

(4) Light sources

Halogen lamp	S 5 A, 6 V, 30 W
Adjustable light source	continuous, \leq 1.5 to 6 V
Mercury vapour lamp for fluorescence	HBO 50
Power consumption of power supply unit for HBO 50	350 VA

(5) Optical/mechanical data

Stand with objective focusing	with coarse drive (7.5 mm/rev) and fine drive (0.75 mm/rev) total lift > 8 mm (focus position ranging from 1 mm below to > 7 mm above stage surface)
Binocular tube	interpupillary distance (ID) adjustable from 55 to 75 mm with constant tube length
Visual port	tube factor 1x
Variable viewing height with 2 positions	for ID 56 mm \rightarrow 350 or 390 mm 65 mm \rightarrow 355 or 385 mm
Viewing angle	45°
Specimen stage (width x depth)	210 x 290 mm operating height 188 mm stage coupling point compatible with the Axiovert stage line (e.g. for use of heating stages)
Specimen guide M	enables the use of holding frames M search range 130 x 85 mm
Clearance for specimen vessels (between stage and condenser)	\geq 31 mm for 0.55 condenser \geq 53 mm for 0.4 condenser \geq 90 mm for 0.2 condenser expandable to 190 mm by sliding condenser
0.2, 0.4 or 0.55 condenser	adjustable aperture diaphragm with scale, max. aperture 0.2, 0.4 or 0.55 mount for Ph, Ph/Var or Var/H/Var slider



Axiovert 25, Axiovert 25 C, Axiovert 25 CFL

Objectives	ICS line of objectives with W 0.8" x 1/36 thread
Objective change	manual via 5-fold lens turret
Eyepieces	30 mm insertion diameter use of eyepieces up to field number 20 standard: Pl 10x/18 Br. and Pl 10x/18 Br. foc.
Camera/video port	for connection of: 2.5x/T2 camera adapter for 35 mm 0.5x/C video adapter ENG 1/2" 0.5x video adapter
Reflector mount	for mounting 2 reflectors and for one free passage



1.4 Overview of components

1.4.1 Microscope configurations

Microscope configurations, transmitted and re- flected light		Order No.	Configuration		
			491205 9804	491206 9804	491207 9804
1.1	Axiovert 25 microscope stand	451200	x		
1.2	Axiovert 25 C microscope stand	451205		x	
1.3	Axiovert 25 CFL microscope stand	451210			x
2	Halogen lamp, 6 V, 30 W	000000-0402-943	x	x	x
3.1	0.2 condenser	451236	x		
3.2	0.4 condenser	451235		x	x
3.3	0.55 condenser	451237	x		
4.1	Specimen stage, 210 x 290 mm	451225	x	x	x
4.2	Specimen guide M for Axiovert 25	451230		x	x
4.3	Holding frame M for microtiter plates 96 positions	471746		x	x
5.1	Ph/H/Ph slider	451245	x	x	x
5.2	Var/H/Var slider	451247			
6.1	Ph0-0.2 ring diaphragm	451261	x		
6.2	Ph1-0.2 ring diaphragm	451260	x		
6.3	Ph0-0.4 ring diaphragm	451255			
6.4	Ph1-0.4 ring diaphragm	451256		x	x
6.5	Ph2-0.4 ring diaphragm	451257			x
6.6	Ph1-0.55 ring diaphragm	451258			
6.7	Ph2-0.55 ring diaphragm	451259			
7.1	Reflector module FI	452888			x
7.2	Filter set 09 for blue excitation 450-490	487909			x
7.3	Lamp housing HBO 50 incl. lampholder	447220			x
7.4	Aspherical collector	447271			x
7.5	Mercury vapour short arc lamp HBO 50	381619			x
7.6	Power supply unit for HBO 50 230/240 V, 50-60 Hz, 350 VA	392642			x
7.7	Step-down transformer for 1200 VA with mains cable with American flat plug	392589			(x)
8	Objectives				
8.1	CP Achromat 5x/0.12 Ph0	440921	x		
8.2	CP Achromat 10x/0.25 Ph1	440931	x	x	x
8.3	LD Achrostatigmat 20x/0.30 Ph1	440147		x	x
8.4	LD Achrostatigmat 32x/0.40 Ph1	440149			
8.5	LD Achrostatigmat 40x/0.55 Ph2, plus cover glass cap D = 0.6 – 1.2	440155 444931			x x



Axiovert 25, Axiovert 25 C, Axiovert 25 CFL

Microscope configurations, transmitted and re- flected light		Order No.	Configuration		
			491205 9804	491206 9804	491207 9804
9	Eyepieces				
9.1	Eyepiece Pl 10x/18 Br.	444131 9901	x		
9.2	Eyepiece Pl 10x/18 Br. foc.	444132 9901	x	x (2x)	x (2x)
10.1	Conversion filter CB 12 d = 32x2	467850 9901	x	x	x
10.2	Neutral-density filter N = 0.06 d = 32x2	467848	x	x	x
11	Dust cover for Axiovert 25	459315	x	x	x

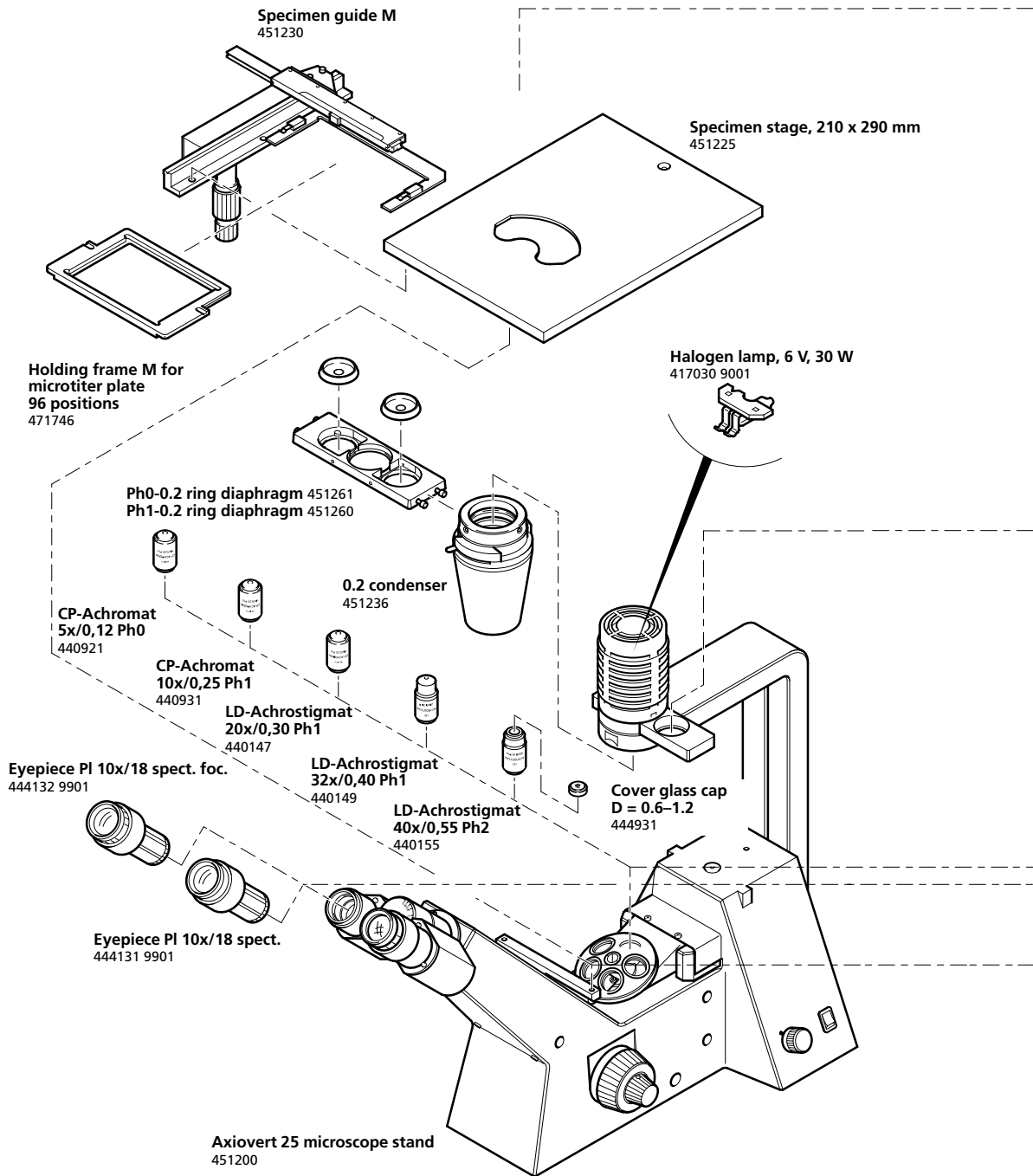


Figure 1-3/1 Axiovert 25 configurations

Axiovert 25, Axiovert 25 C, Axiovert 25 CFL

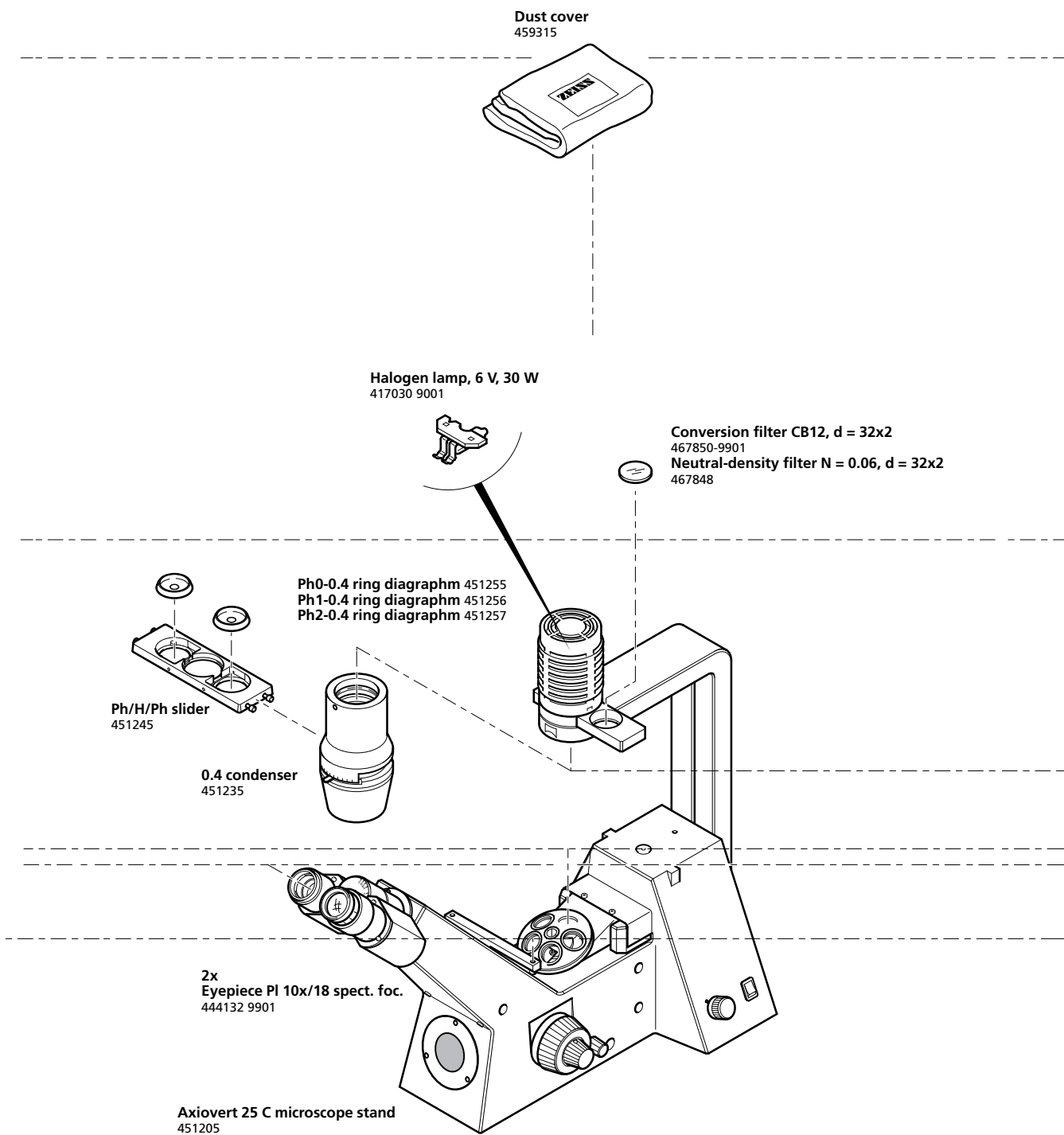


Figure 1-3/2 Axiovert 25 configurations

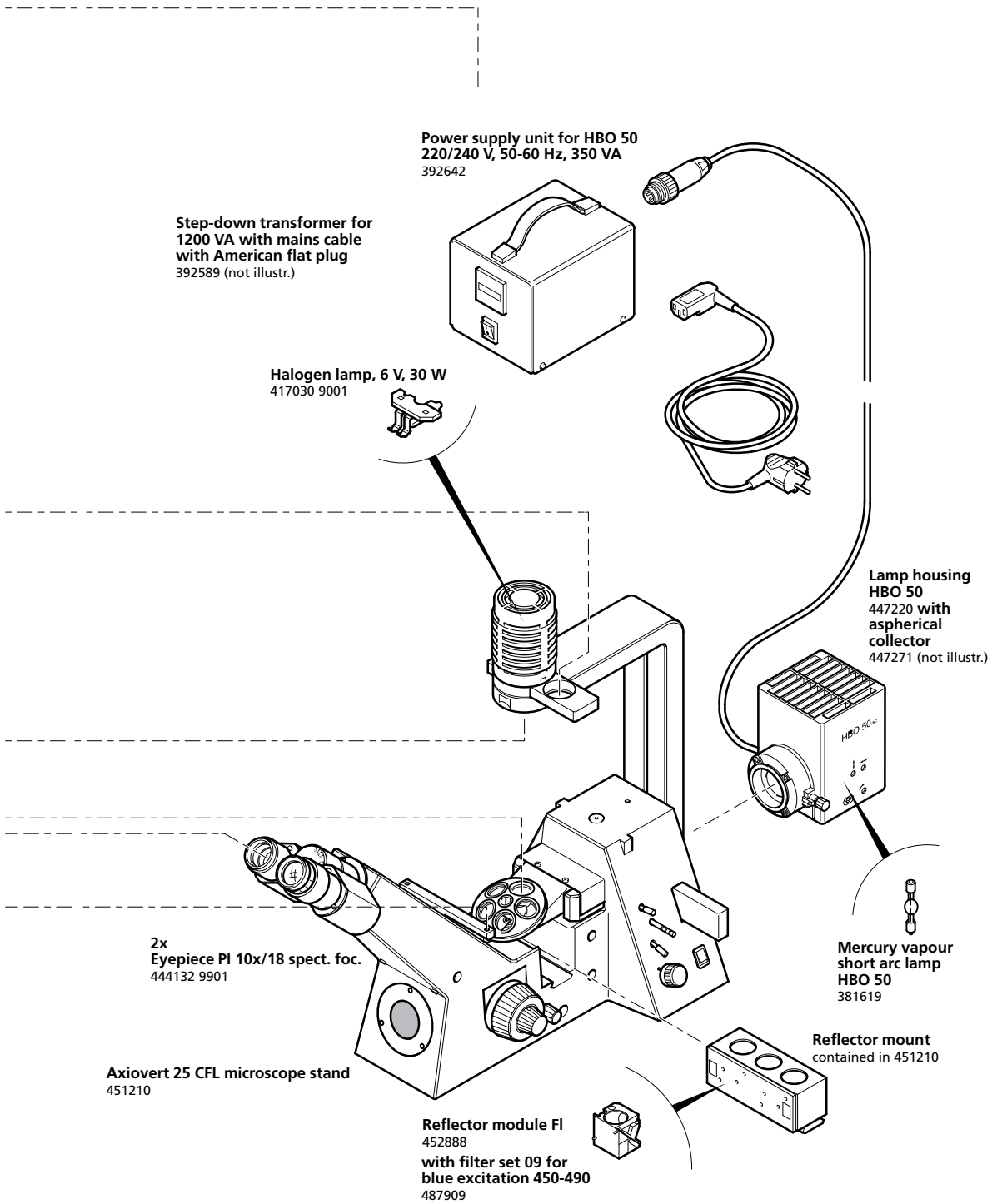


Figure 1-3/3 Axiovert 25 configurations

1.4.2 Accessories for the microscope configurations

Accessories for microscope configurations		Order No.	Configuration		
			491205 9804	491206 9804	491207 9804
1	Specimen guide M for Axiovert 25	451230	x	○	○
2	Holding frame for specimen guide M for				
2.1	Specimen mount 76 x 26	471719	x	x	x
2.2	Microtest plates 60, 72 and 120 pos.	471747	x	x	x
2.3	Microtiter plates 96 pos.	471746	x	x	x
2.4	Multiple dishes (133.5x88.5)	471744	x	x	x
2.5	Petri dishes d = 36 mm	471742	x	x	x
2.6	Petri dishes d = 54 mm	471743	x	x	x
2.7	Petri dishes d = 65 mm	471758	x	x	x
2.8	Petri dishes d = 88 mm	471759	x	x	x
2.9	Universal holding frame M	471718	x	x	x
2.10	Reflected light specimens with stage inlay d = 24, replaceable	471767	x	x	x
	Please enquire about further holding frames				
3	Specimen stage glass 210 x 290 mm	451226	x	x	x
4.1	Heating stage M	471820 9901	x	x	x
4.2	Hot plate	471841 9902	x	x	x
4.3	TempControl 37-2	471842	x	x	x
4.4	Air tempering unit (230 V)	471824	x	x	x
5	Connection of single-lens reflex cameras				
5.1	2.5x/T2 photo adapter	451265		x	x
5.2.1	Format reticule plate MC 10x/d = 26	454075		x	x
5.2.2	Diaphragm part, screw-in	444132 0206		x	x
5.3	Monocular 3 x 12 B	522012		x	x
5.4	T2 adapter				
5.4.1	for OLYMPUS OM (OM bayonet)	416002		x	x
5.4.2	for MINOLTA (SR bayonet)	416003		x	x
5.4.3	for CANON (FD bayonet)	416004		x	x
5.4.4	for NIKON-F (F bayonet)	416009		x	x
5.4.5	for PENTAX (KA bayonet)	416011		x	x
5.4.6	for CONTAX (CONTAX bayonet)	416010		x	x
5.4.7	for PRAKTICA B				
5.4.7.1	T2 holder for PRAKTICA L	263060 2505124		x	x
5.4.7.2	Bayonet/ M42x1 thread adapter	000000 0225.954		x	x
5.5.1	Single-lens reflex camera housing CONTAX 167 MT	416181		x	x
5.5.2	Cable release	416167		x	x
5.6	RICOH KR 10M single-lens reflex camera (PENTAX T2 adapter required)	416115		x	x
5.7	PRAKTICA BX20 camera housing	000000 0219.086		x	x



Accessories for microscope configurations		Order No.	Configuration		
			491205 9804	491206 9804	491207 9804
6	Connection of video cameras				
6.1	Video adapter C 1/2" 0.5x	451266 9901		X	X
6.2	Video adapter ENG 1/2" 0.5x	451267 9901		X	X
7.1	Ph0-0.2 ring diaphragm	451261	○	X	X
7.2	Ph1-0.2 ring diaphragm	451260	○	X	X
7.3	Ph0-0.4 ring diaphragm	451255	X	X	X
7.4	Ph1-0.4 ring diaphragm	451256	X	○	○
7.5	Ph2-0.4 ring diaphragm	451257	X	X	○
7.6	Ph1-0.55 ring diaphragm	451258	X	X	X
7.7	Ph2-0.55 ring diaphragm	451259	X	X	X
7.8	Var1-0.4 ring diaphragm	451251	X	X	X
7.9	Var1-0.55 ring diaphragm	451252	X	X	X
7.10	Var2-0.55 ring diaphragm	451253	X	X	X
8.1	Ph/H/Ph slider	451245	X	X	X
8.2	Ph/H/Var slider	451246	X	X	X
8.3	Var/H/Var slider	451247	X	X	X
9.1	0.2 condenser	451236	○	X	X
9.2	0.4 condenser	451235	X	○	○
9.3	0.55 condenser	451237	X	X	X
10.1	Reflector module FI	452888			X
10.2	Reflected light fluorescence filter set (see price list)				X
11	Neutral-density, interference and conversion filter d = 32 mm (see price list)		X	X	X
12	Objectives				
12.1	Plan-Neofluar 2.5x/0.075	440310	X	X	X
12.2	CP-Achromat 5x/0.12	440920	X	X	X
12.3	CP-Achromat 5x/0.12 Ph0	440921	○	X	X
12.4	Plan-Neofluar 5x/0.15	440320	X	X	X
12.5	CP-Achromat 10x/0.25	440930	X	X	X
12.6	CP-Achromat 10x/0.25 Ph1	440931	○	○	○
12.7	CP-Achromat 10x/0.25 Ph1/Var1	440938	X	X	X
12.8	Achrostigmat 10x/0.25 Ph1	440131	X	X	X
12.9	Achroplan 10x/0.25	440030	X	X	X
12.10	Achroplan 10x/0.25 Ph1	440031	X	X	X
12.11	LD-Achrostigmat 20x/0.30 Ph1	440147	X	○	○
12.12	LD-Achrostigmat 20x/0.30 Ph1/Var1	440148	X	X	X
12.13	LD-Achroplan 20x/0.40	440840	X	X	X
12.14	LD-Achroplan 20x/0.40 Ph2	440841	X	X	X
12.15	LD-Achroplan 20x/0.40 korr Ph2	440845	X	X	X
12.16	LD-Achrostigmat 32x/0.40 Ph1	440149	X	X	X



Axiovert 25, Axiovert 25 C, Axiovert 25 CFL

Accessories for microscope configurations		Order No.	Configuration		
			491205 9804	491206 9804	491207 9804
12.17	LD-Achrostigmat 32x/0.35 Ph1 Var1	440146	X	X	X
12.18	LD-Achroplan 32x/0.40	440850	X	X	X
12.19	LD-Achroplan 32x/0.40 Ph2	440851	X	X	X
12.20	LD-Achrostigmat 40x/0.55	440154	X	X	X
12.21	LD-Achrostigmat 40x/0.55 Ph2	440155	X	X	○
12.22	LD-Achrostigmat 40x/0.50 Ph2 Var2	440158	X	X	X
12.23	Cover glass cap D = 0-0.6 #	444930	X	X	X
12.24	Cover glass cap D = 0.6-1.2 # # for 440840/41/50/51 and 440154/55	444931	X	X	X
13	Eyepieces				
13.1	E-PI 10x/20 Br.	444231 9901	X	X	X
13.2	E-PI 10x/20 Br. foc., plus	444232 9902	X	X	X
13.2.1	Diaphragm part, screw-in	444232 0206	X	X	X
13.3	PI 16x/16 Br.	444053	X	X	
13.4	PI 16x/16 Br. foc.	444054	X	X	
13.5	Eyecup	2x 444801			
14	Auxiliary microscope d = 30 mm				
15.1	Reticule micrometer 14:140 *)	d = 26 454075	X	X	X
15.2	Eyepiece measuring plate 2x20:200 *)	d = 26 454089	X	X	X
15.3	Specimen micrometer 5+100/100y *)	D = 0,17 mm 474026	X	X	X
	Vertical divisions				
	*) The diaphragm part, screw-in, 444232 0206 or 444132 0206, is needed when reordering for existing eyepieces				

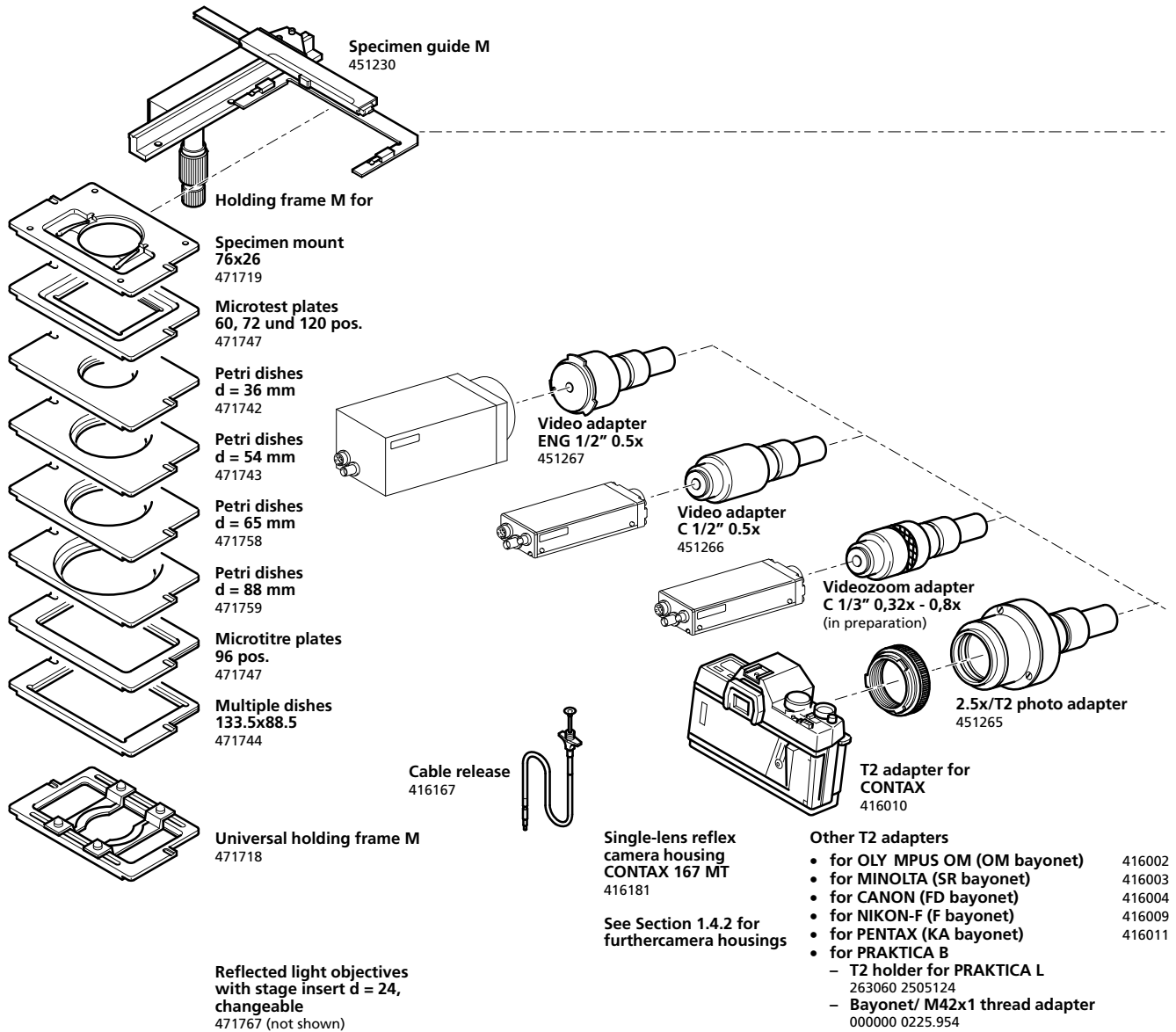


Figure 1-4/1 Accessories for the Axiovert 25 configurations

Axiovert 25, Axiovert 25 C, Axiovert 25 CFL

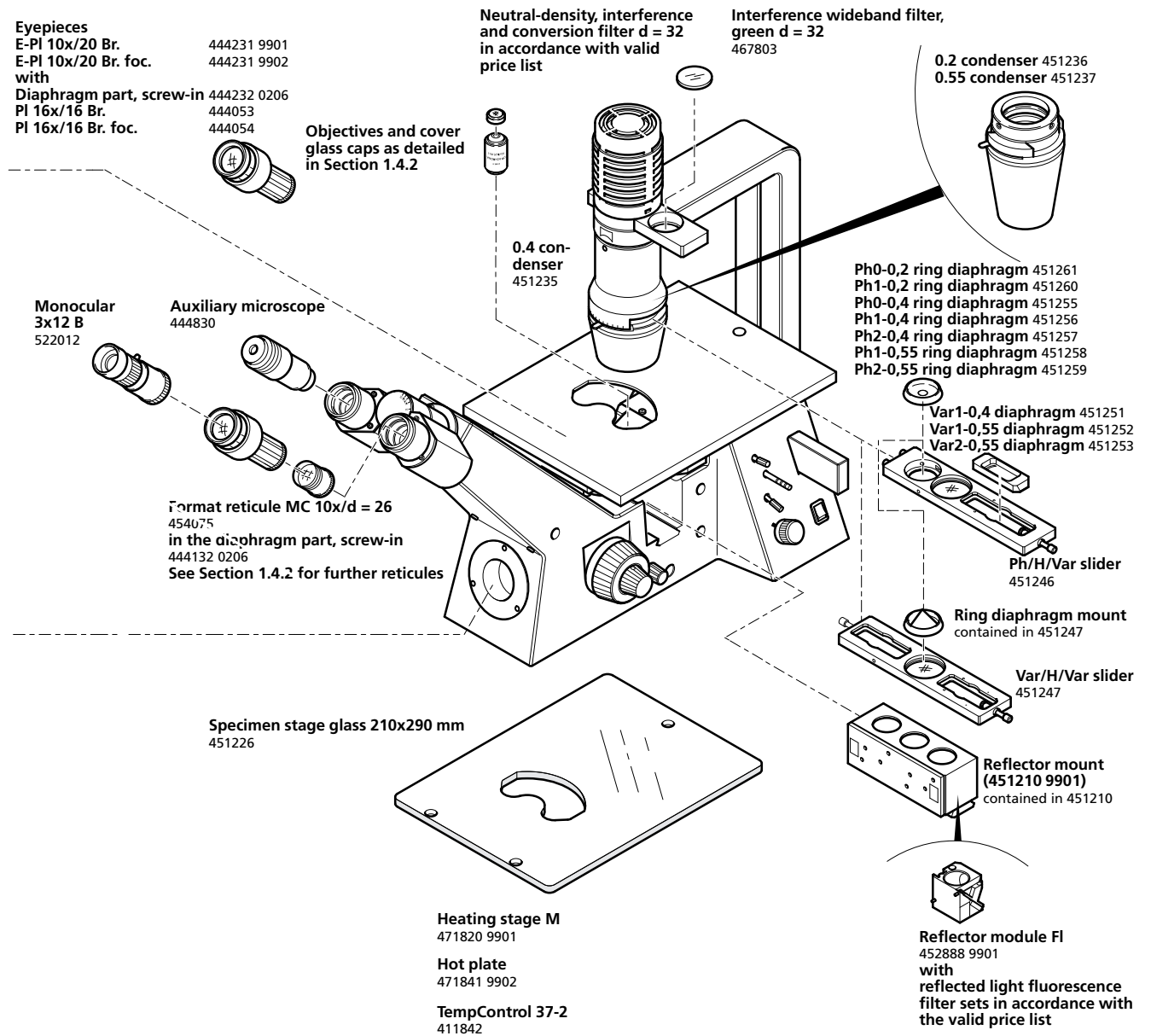


Figure 1-4/2 Accessories for the Axiovert 25 configurations

1.5 Function elements
(see Figures 1-5, 1-6 and 1-7 following the table)

Item No.	Designation	Purpose/description
1	Microscope stand	Support of the Axiovert 25 microscope
2	Auxiliary microscope	For observation of the lens pupils and thus of phase contrast and VAREL diaphragms
3	Diaphragm part, screw-in	Equipped with eyepiece measuring plate or format plate for microphotography
4	Eyepiece, focusing	Eyepiece for focusing the format reticule during photograph or when using eyepiece measuring plates to compensate for myopia for binocular observation
5	Binocular tube swivelling	For insertion of eyepieces, adjustable to 2 heights and to interpupillary distance
6	Eyepiece	Non-focusing eyepiece
7	Monocular	Adjustment aid when taking photographs with low magnification factors
8	Specimen guide M coaxial drive	For sensitive shifting of the inserted holding frames and movement of specimens within a range of 130 x 85 mm
9	Specimen stage	Stage area 210 x 290 mm; if required, replaceable by glass stage or heating stage
10	Aperture diaphragm	To change the illumination aperture via a lever
11	Ph/H/Ph slider	Slider for triple phase contrast, left and right positions to hold one ring diaphragm each, can be centered, middle position with Ø 42 mm attenuation filter
12	0.4 condenser	Condenser with a 53 mm free working distance
13	Condenser change position	Enables replacement of the 0.2 and 0.4 condensers
14	0.2 or 0.55 condenser	Condenser with a 90 mm or 31 mm free working distance
15	Lighting unit 30	Microscope illumination with 6 V, 30 W halogen lamp, with sliding condenser change position, free working distance when condenser off \geq 190 mm
16	Filter	Conversion and/or attenuation filter
17	Filter slider	Enables insertion of Ø 32 mm light filters in the observation beam path
18a	Ph/H/Var slider	Slider for phase and VAREL contrast Enables mounting of a ring diaphragm (phase contrast) and of the VAREL diaphragm (HF, DF, VAREL contrast) Middle position with Ø 42 mm attenuation filter

Item No.	Designation	Purpose/description
18b	Var/H/Var slider	Slider for VAREL contrast, left and right position each accept one VAREL stop, center position with dia. 42 mm attenuation filter, can be exchanged for ring diaphragm holder for phase contrast
19	HBO 50 lamp	Lamp for reflected light fluorescence illumination
20	Power supply unit for HBO 50 220/240 V	To supply the HBO 50 lamp
21	Cable	For connecting the HBO power supply unit
22	Additional filter slider	For inserting filters or for shutting off the light
23	On/Off switch	Main switch of the unit for switching the line voltage on/off
24	Pull rod	For setting the luminous field diaphragm
25	"Illuminance" control	Continuously variable control of the light source/ illuminance by varying the lamp voltage from 1.5 V to 6 V
26	Centring screws	For centring the luminous field diaphragm
27	Objectives	ICS line of objectives
28	Lens turret	Mount for up to 5 objectives, which are swivelled manually into the beam path
29	Reflector mount	For mounting the reflector modules FI
30	"Beam path" changer	Enables switchover of the light from the specimen to: <ul style="list-style-type: none"> - 100 % of the light for visual observation or - 100 % of the light to the camera/video port
31	Focusing drive, left and right	Enables adjustment of the optical system to the specimen (max. adjustment range > 8 mm)
32	Camera/video port	Enables connection of different accessory units <ul style="list-style-type: none"> - Camera adapter 2.5x/T2 - Video adapter C 1/2" 0.5x - Video adapter ENG 1/2" 0.5x
33	Clamping screw	For clamping the microphotography and video microscopy adapters
34	Connection cable	For connection to the line (EURO or US version)
35	Mains terminal, 3-pole	100...240 V AC
36	Fuse insert	T 0.8 A; 250 V; 5 x 20 mm
37	Fuse holder	Fuse holder for 2 fuse inserts

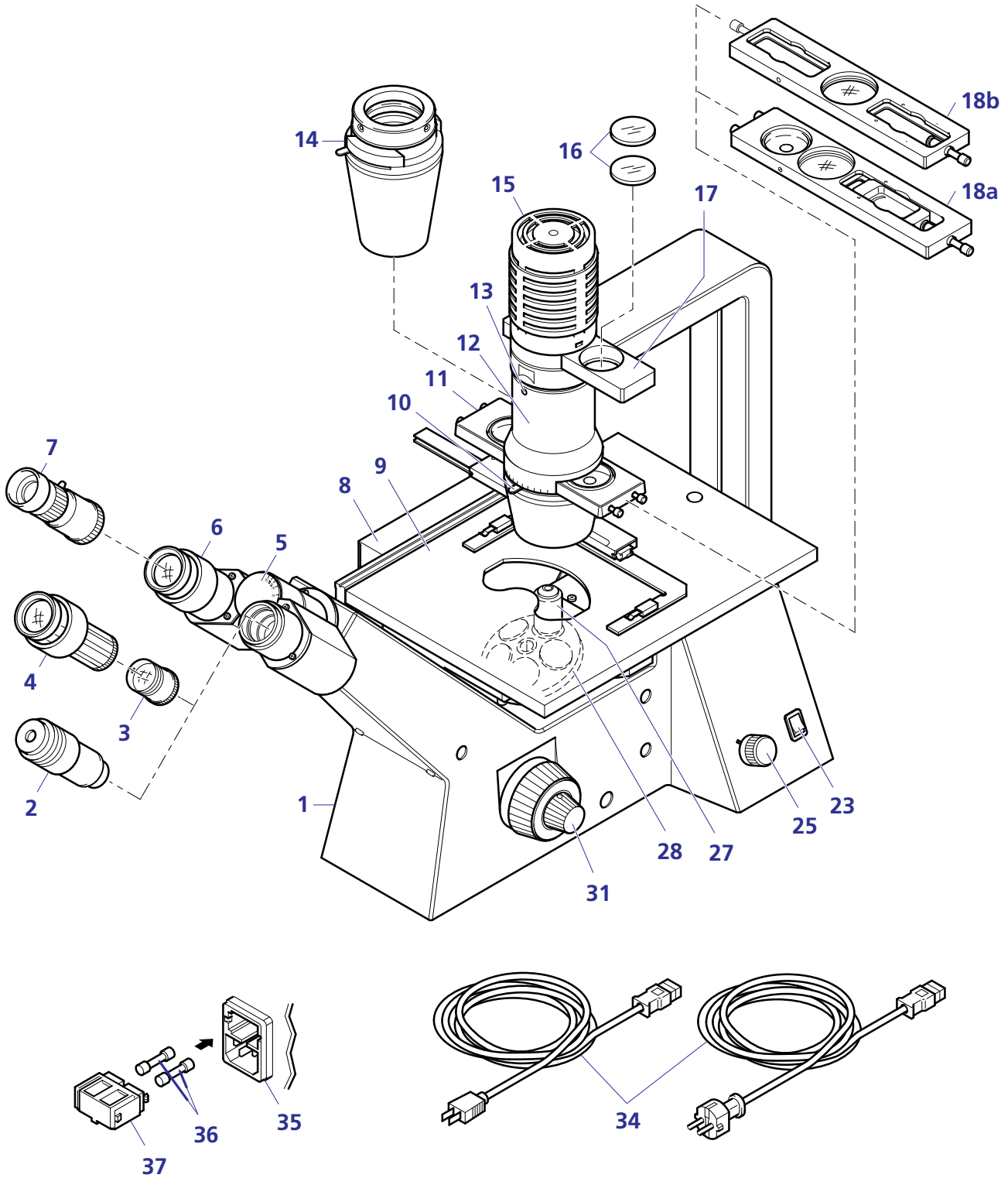


Figure 1-5 Function elements of the Axiovert 25

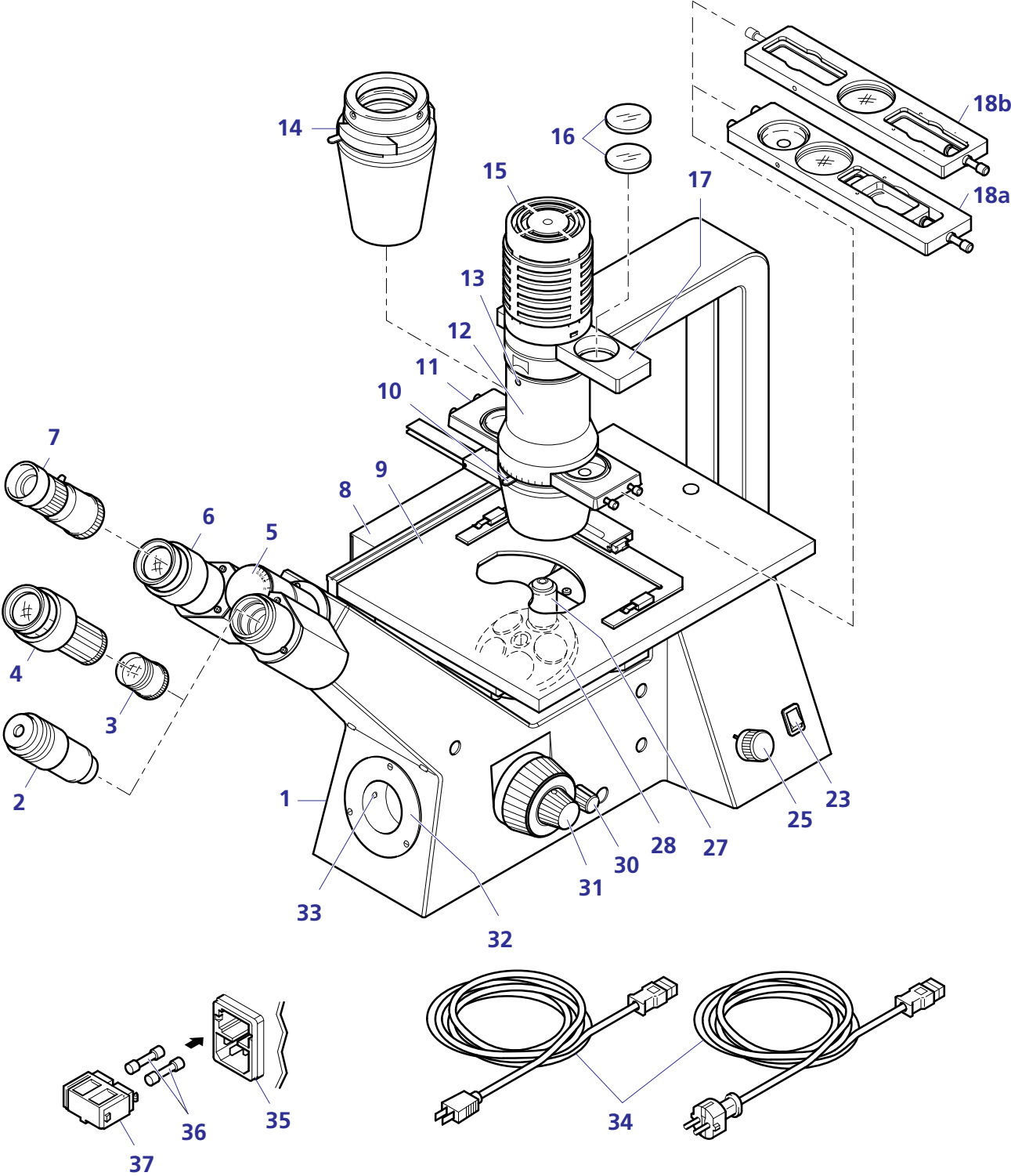


Figure 1-6 Function elements of the Axiovert 25 C

2 Operation

2.1 Assembly of the instrument

2.1.1 Unpacking

The various models of the Axiovert 25 microscope, including accessories, are delivered in commercially available packaging. It is recommended to keep the transport containers in case the instrument must be stored for a long period of time or returned to the manufacturer.

- Open the packaging.
- Remove the cardboard box (2-1/1) containing the accessories.
- Hold the polyethylene packing (2-1/2) including the microscope at the openings (2-1/3), remove it from the cardboard box and place it on the side.
- Remove the upper part of the packing.
- Remove the microscope from the lower half of the packing, but do **not** touch it on the binocular tube or the illumination arm.
- Check for completeness in accordance with the packing list.
- Store packing material in the transport box or dispose of it as indicated.

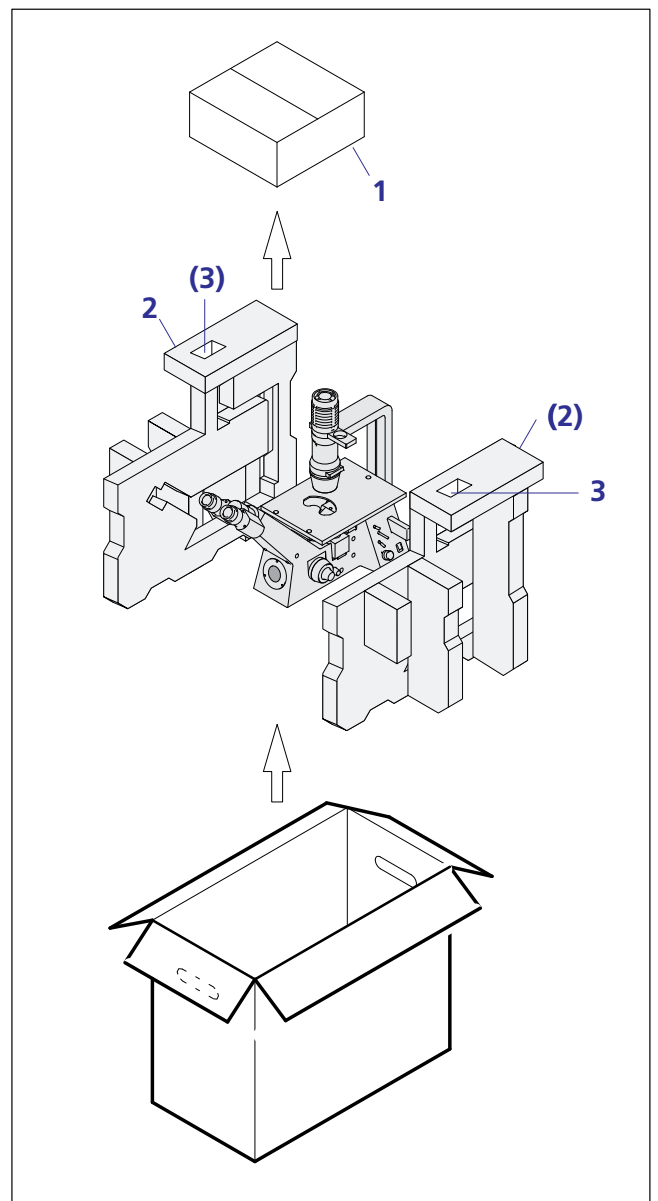


Figure 2-1 Packing units of the Axiovert 25

2.1.2 Installation

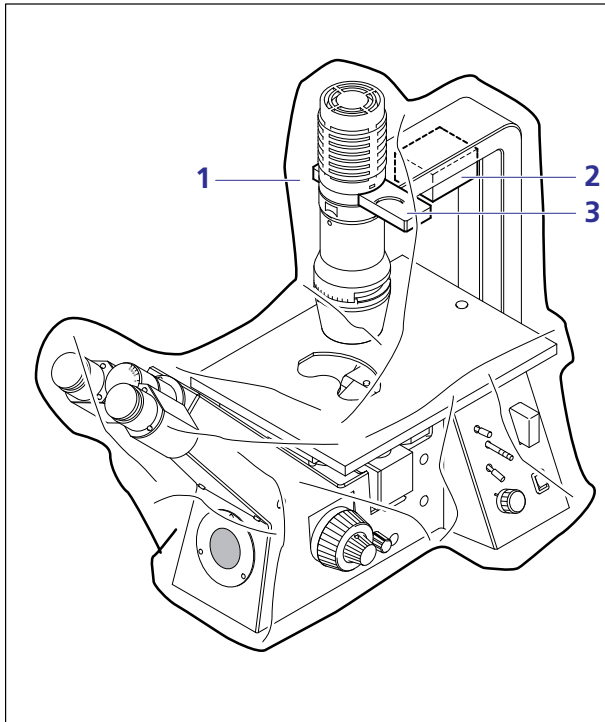


Figure 2-2 Unpacking and installation

(1) Preparations

- Place the microscope stand on a suitable work surface.
- Remove the plastic sleeve (2-2/1).
- Remove the foam part (2-2/2) which secures the condenser slider.
- Remove the foam part (2-3/1) above the nosepiece.

NOTE The filter slider (2-2/3) is firmly integrated; the suitable filters (green filter, attenuation filter) are not inserted during transport.

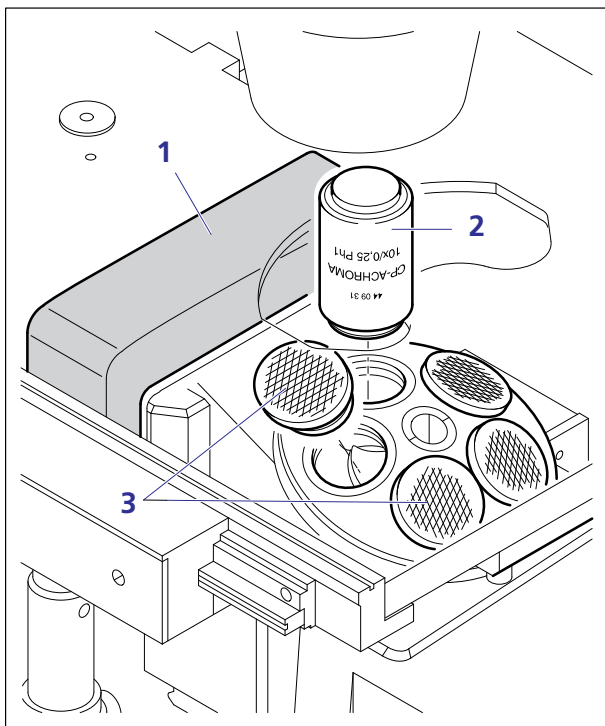


Figure 2-3 Screwing in of objectives

(2) Screwing in of objectives

- Remove the dust covers (2-3/3) depending on the number of objectives you wish to use and screw the objectives (2-3/2) in the nosepiece in the ascending order of magnification factors.

(3) Insertion of ring diaphragm sliders

- Remove the dust protection slider (2-4/1) from the slider mount and replace it with the
 - Ph/H/Ph slider (2-4/2) or the
 - Ph/H/Var slider (2-4/3);
 clickstop the slider in the center position (brightfield position).

NOTE The marking on the slider must be legible upright and the inserted ring diaphragms must correspond to the condenser/lens combination (also see the table on page 2-13).

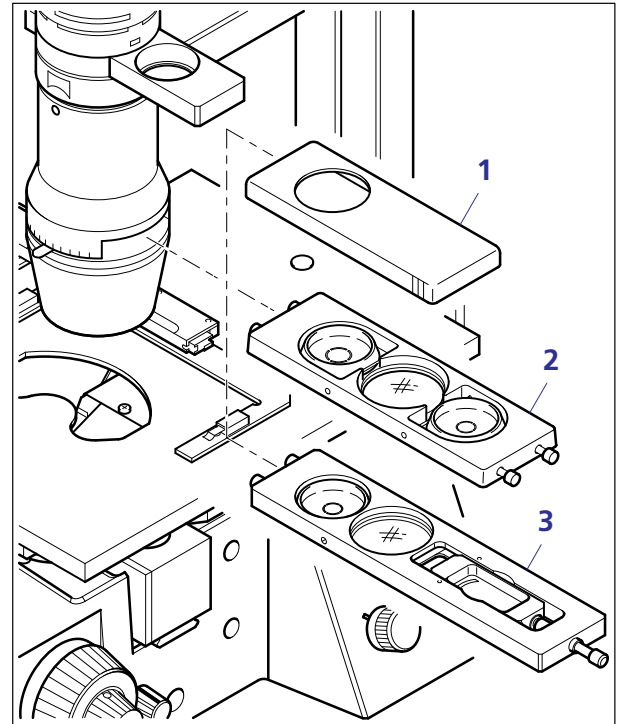


Figure 2-4 Insertion of ring diaphragm sliders

(4) Attachment of the HBO 50 illuminator

- Attach HBO 50 (2-5/4) illuminator equipped with mercury vapor short-arc lamp to the Axiovert 25 CFL via dovetail and tighten fixation screw using SW 3 ball-head screwdriver. For information on the change of lamps please see section 3.2 (3).
- Establish connection to the power unit for HBO 50/220-240 V (2-5/2) and connect the cable (2-5/3) to the line.

NOTE The line voltage of 110/120 V requires the transformer for 1200 VA (2-5/1) to be connected between the power unit for the HBO 50 and the line.

- Switch on the power unit.

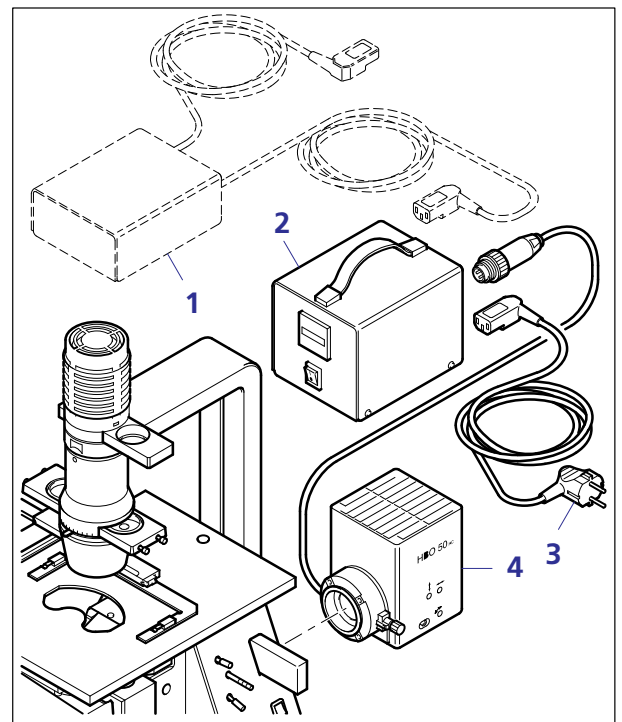


Figure 2-5 Attachment of the HBO 50 illuminator

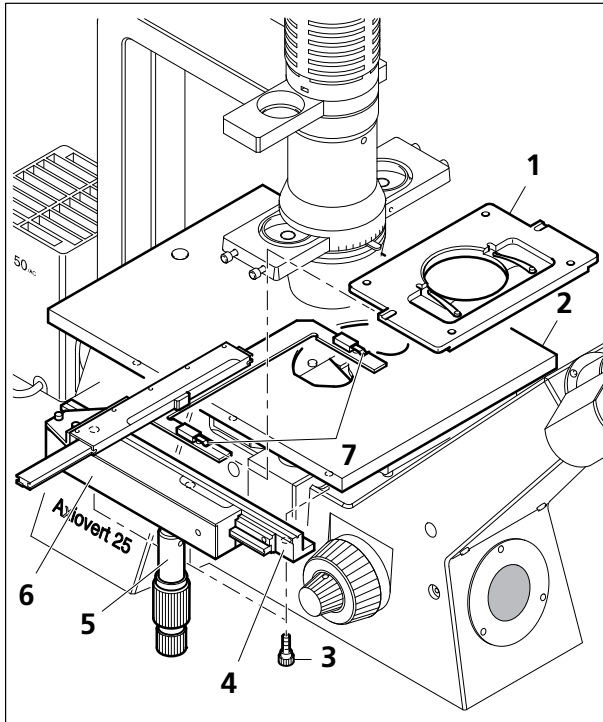


Figure 2-6 Attachment of the specimen guide M

(5) Attachment of the specimen guide M

- Attach the specimen guide M for Axiovert 25 (2-6/6) to the left or right of the stage (2-6/2) and secure it from below with three knurled screws (2-6/3).

NOTE The L rail (2-6/4) of the specimen guide must be flush with the stage.
The specimen guide is moved by means of a coaxial drive (2-6/5) (bottom drive knob for X movement and top drive knob for Y movement).

- Select the suitable holding frames (2-6/1) for the intended specimen vessel and fit the appropriate scales in the recesses on the specimen guide and adhere them.

NOTE When using the holding frames, make sure that the holding frames are inserted correctly in the specimen guide, i.e. the holding frames must engage in the two holding clips (2-6/7).

- Figure 2-24 shows a selection of available holding frames including the appropriate specimen vessels. The suitable vessels are not, however, included in the delivery package and must be provided by the customer (see Section 2.5, "Working with the specimen guide M and holding frames").

(6) Connection to the line

IMPORTANT Check whether the voltage indicated on the instrument rear complies with the line voltage!

- Connect line cable (2-7/4) to the instrument socket and the line.
- Switch on the instrument via the On/Off switch (2-7/3) on the right of the instrument.

NOTE When the instrument is switched off, the "0" marking is visible on the line switch.

- The instrument is ready for operation when the pilot lamp is on.
- In the event of a defect, check the two G-type fuses (2-7/2) in accordance with IEC 127:
for 100...240 V AC: T 0.8 A; 250 V; 5 x 20 mm

Remove the fuse holder (2-7/1) from the housing by pressing the two springs simultaneously in the direction of the arrows.

IMPORTANT Only use the stipulated fuses.

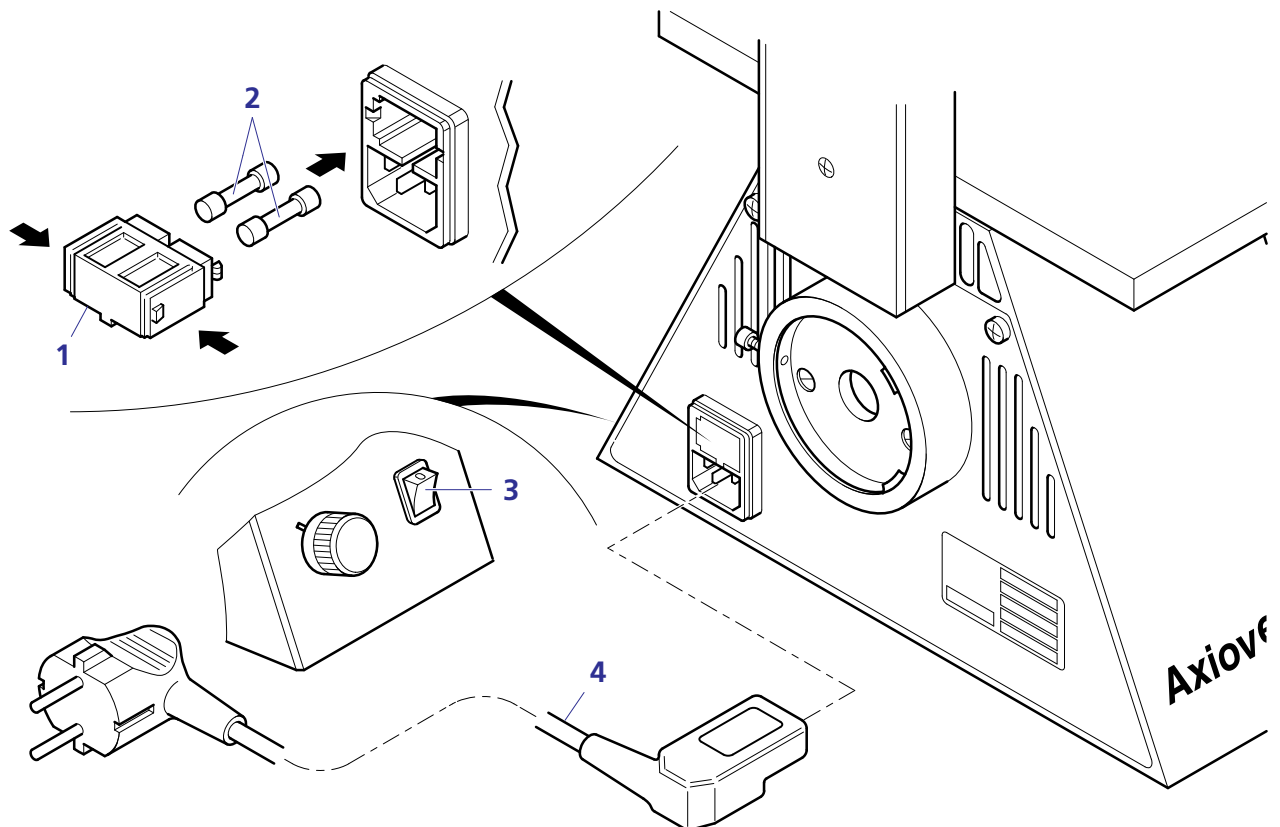


Figure 2-7 Connection to the line

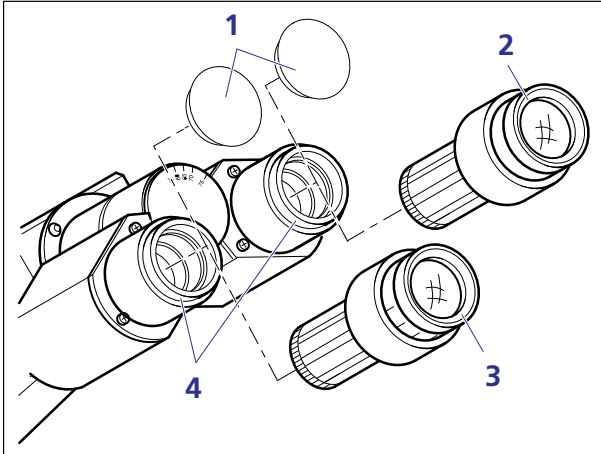


Figure 2-8 Inserting the eyepieces

(7) Inserting the eyepieces

- Remove the dust covers (2-8/1) and insert the fixed eyepieces (2-8/2, 3) and the focusing eyepieces in the eyepiece tube (2-8/4).

NOTE

Depending on the configuration, one or two eyepieces may permit focusing to compensate for differing degrees of myopia of the two eyes.

(8) Compensating for myopia

1) with one fixed and one focusing eyepiece

- Focus on the specimen via the fixed eyepiece (2-8/2) and the focusing drive. Focus on the specimen for the second eye via the eyelens of the second eyepiece (2-8/3).

2) with two focusing eyepieces

- Use the eyelens of the focusing eyepiece (2-8/3) to focus on the line figure of the eyepiece reticle or, if there is no eyepiece reticle, on the edge of the field of view.
- Focus on the microscope image of a specimen via the focusing drive by looking through the eyepiece with reticle.
- When the image and the eyepiece reticle are in focus in the above eyepiece, focus the image for the second eye via the eyelens of the second eyepiece.

NOTE

The position of the focusing drive on the stand must not be changed.

(9) Using the binocular tube

- The eyepiece distance is matched to the individual interpupillary distance by swinging the eyepiece tubes symmetrically towards one another.
- A higher (2-9/A) or lower (2-9/B) viewing height is achieved by swiveling the tube.

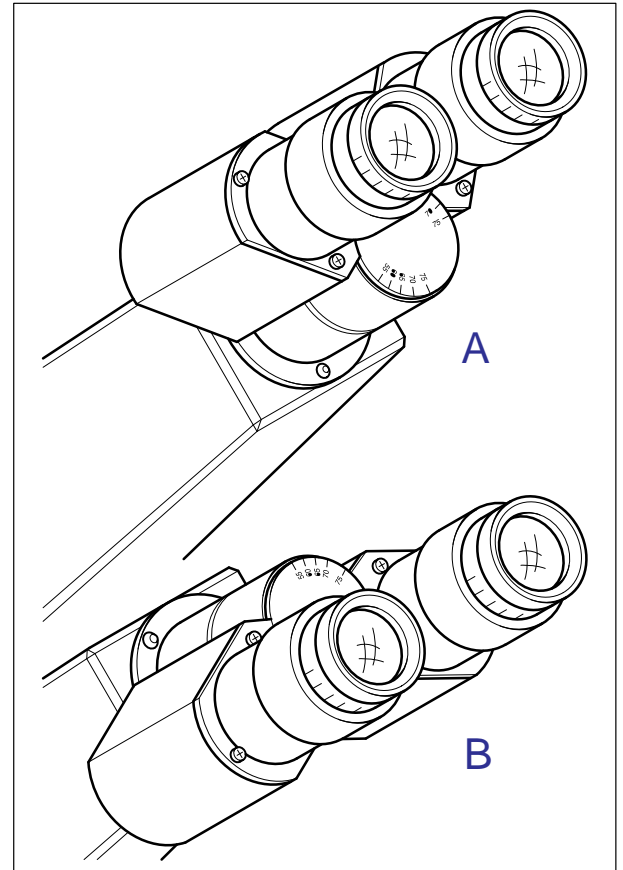


Figure 2-9 Positions of the binocular tube

(10) Inserting an eyepiece reticle (dia. 26 mm)

- The W-PI eyepieces 10x/18 foc. are intended for use with reticles.
- The image shift produced by the additional path through the glass is taken into account on the diopter scale by the fact that the zero position is indicated not by the white dot (W) but by the red dot (R).
- The reticles (2-10/2) have been adhered to screw-in mounts (2-10/1) to allow easy replacement.
- To replace a reticle, unscrew the entire mount and replace it with one containing the required reticle.
- Finally, check the image focus and readjust it, if required (see section 2.1.2 (8), page 2-6).

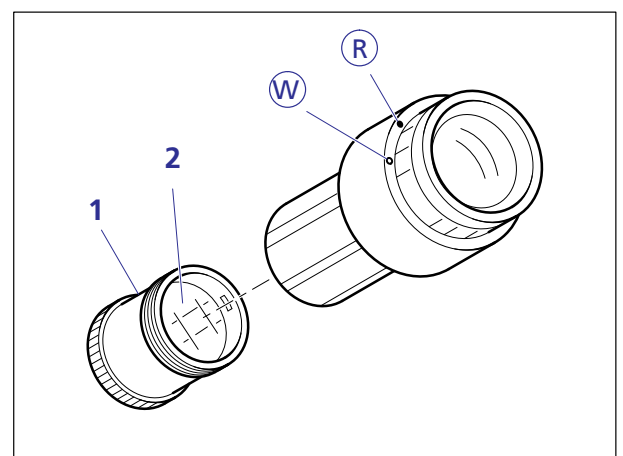


Figure 2-10 Inserting an eyepiece reticle

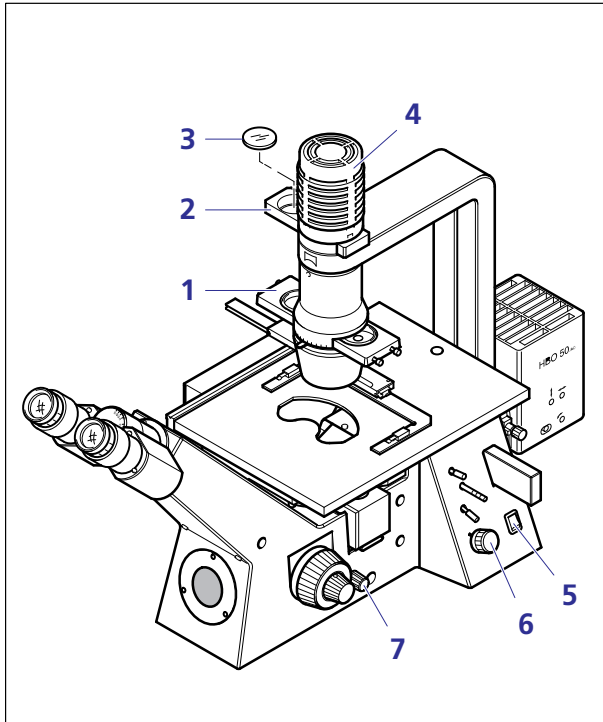


Figure 2-11 Positioning and switching on the instrument

(11) Positioning/switching on the instrument

- Unless already done, switch on the instrument using the On/Off switch (2-11/5).
- After switching on, the lamp in the illuminator (2-11/4) must light up.
- Set the required brightness via the illumination control (2-11/6).
- If required, insert attenuation filter or green filter (2-11/3) in the beam path via the filter slider (2-11/2).
- Move Ph/H/Ph (2-11/1), Ph/H/Var (2-4/3) or Var/H/Var sliders to center position.

NOTE If no light appears in the visual beam path of the Axiovert 25 or 25 CFL, the "observation/camera" changeover switch (2-11/7) should be activated.

2.2 Start-up

When starting up the Axiovert 25 microscope for the first time, the instrument must be unpacked in accordance with section 2.1.1, installed in accordance with 2.1.2, connected to the line and made ready for operation.

The Axiovert 25 microscope is supplied with factory-aligned illumination. This illumination equipment requires no recentering even after an exchange of lamps by the customer. The HBO 50 lamp must be centered after it has been changed (see section 3.2 (3)).

The procedure of minor settings, e.g. the adjustment of a ring diaphragm, is explained in the sections covering the appropriate microscopy techniques.

Otherwise, settings are restricted to changing the objectives (swinging them into the beam path) and the handling of LD objectives.

2.3 Use of LD objectives

When inverted microscopes are used for analyses, the bottom thickness of the vessels used differs considerably from the standard cover slip thickness of 0.17 mm.

Normally, such distances are easily bridged by the working distances of low-power objectives:

- CP Achromat 5x/0.12 FWD (in air) 10.8 mm or
- CP Achromat 10x/0.25 FWD (in air) 5.1 mm.

Already in the middle magnification range, however, these working distances are reduced to values around or below 1 mm. Such objectives can then no longer be used for thicker bottoms.

This shortcoming is remedied by special LD (Long Distance) objectives; these objectives feature a relatively long working distance, but also the normal 45 mm parfocalization length of all other objectives.

For adaptation to the bottom thickness in use, fit the corresponding cover glass cap (2-12/1) onto the objective (see table below for assignments).

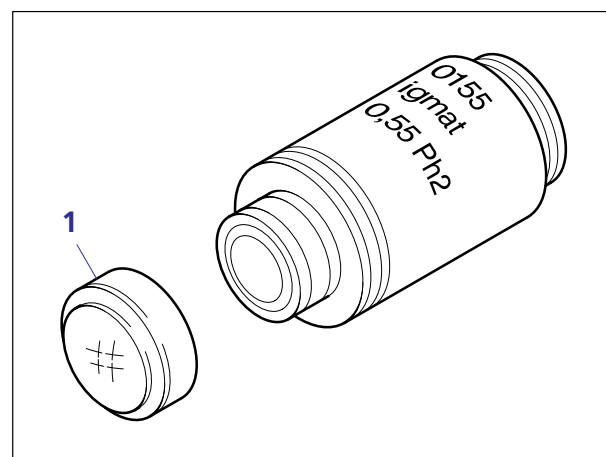


Figure 2-12 Working with LD objectives

Table of free working distances on the Axiovert 25

Objective name	Order No.	FWD without cover glass cap for bottom thickness			FWD with cover glass cap for bottom thickness	
		D=0.17 [mm]	D=1 [mm]	D=1.2 – 1.8 [mm]	0 - 0.6 (444931) [mm]	0.6 - 1.2 (444930) [mm]
CP-Achromat 5x/0.12 Ph0	440921	10.7	10.3	10.2 ... 9.9*	–	–
CP-Achromat 10x/0.25 Ph1	440931	5.0	4.6	4.5 ... 4.2*	–	–
CP-Achromat 10x/0.25 Ph1/Var1	440938	5.0	4.6	4.5 ... 4.2*	–	–
LD-Achrostigmat 20x/0.30 Ph1	440147	2.2	1.8	1.7 ... 1.4*	–	–
LD-Achrostigmat 20x/0.30 Ph1/Var1	440148	2.2	1.8	1.7 ... 1.4*	–	–
LD-Achrostigmat 32x/0.40 Ph1	440149	2.5	2.1	2.0 ... 1.7*	–	–
LD-Achrostigmat 32x/0.40 Ph1/Var1	440146	2.5	2.1	2.0 ... 1.7*	–	–
LD-Achrostigmat 40x/0.55 Ph2	440155	–	–	1.8 ... 1.5*	1.6 ... 1.3*	1.6 ... 1.3*

* depending on bottom thickness

The working distances of PhVar objectives correspond to those of the Ph objectives.

2.4 Illumination and contrasting techniques

The description/application of illumination/contrasting techniques is based on the following microscope settings:

- Axiovert 25 microscope is switched on.
- The "Illuminance" control (1-6/25) is in center position.
- The "beam path" switch (1-6/30) is in the position for observation.

2.4.1 Use of condensers

Condenser	0.2	0.4	0.55
Free distance between condenser and stage surface	≥ 90 mm	≥ 53 mm	≥ 31 mm plus 6 mm height travel
Objective magnification	5x, 10x, 20x	5x, 10x, 20x, 32x, 40x	5x, 10x, 20x, 32x, 40x
Technique	brightfield phase contrast inclined illumination	brightfield phase contrast VAREL contrast (up to 32x) inclined illumination	brightfield phase contrast VAREL contrast inclined illumination

- To fully illuminate object fields even when low-power objectives (< 5x) are used, push condenser (2-14/3) out of its work position (dashed line in Fig. 2-15).
- When particularly high culture vessels are used, this position of the condenser is also required in order to increase the free working distance to approx. 190 mm.

NOTE Only simple general illumination is obtained if no condenser is used!

- When using the condenser again for illumination, slide it exactly up to the stop position.

NOTE Loosening the three screws (2-15/7) of the condenser changer permits the condenser 0.4 to be replaced with the condenser 0.2 or 0.55.

Height adjustment of the condenser 0.55

The height of the condenser 0.55 can be adjusted in order to obtain homogeneous illumination of the object field and optimum intensities in all the focusing positions of the objective.

When the fixation screw has been loosened, the lower part of the condenser can be moved in the direction of the upper part and clamped in any position.

In phase and VAREL contrast, the phase rings and full diaphragms remain flush after the adjustment.

- Condenser in low position if the object plane is 0...2.5 mm above the stage surface.
- If the object plane is more than 2.5 mm above the stage surface, the lower part of the condenser must be moved upwards and clamped in the object field when optimum illumination intensity has been achieved.

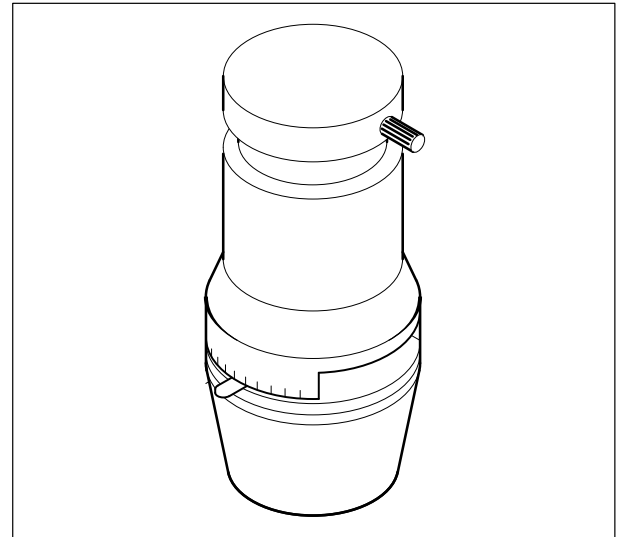


Figure 2-13 Condenser 0.55

2.4.2 Brightfield illumination

- Preparations as described in sections 2.4. and 2.4.1.
- Set Ph/H/Ph slider (2-14/4) to center position.
- Place the object on the stage and focus at low magnification, e.g. using the CP Achromat 10x objective, via the focusing drive.
- Close the aperture diaphragm via the lever (2-14/6) until optimum contrast has been achieved.

NOTE The aperture diaphragm cannot be used to control the image brightness (loss of image quality)!

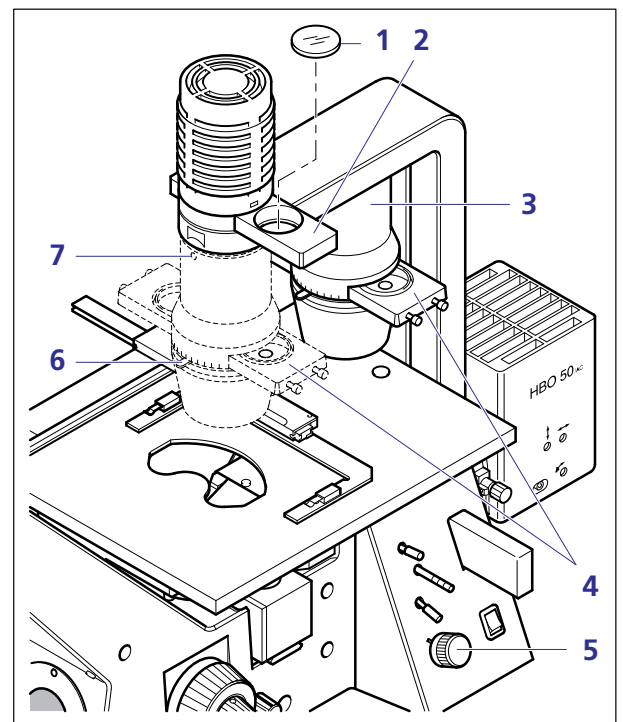


Figure 2-14 Various modes of brightfield illumination

- If required, change the lamp voltage via control (2-14/5) or insert attenuation filter (2-14/1) in the filter slider (2-14/2) and push it in the beam path.

2.4.3 Phase contrast

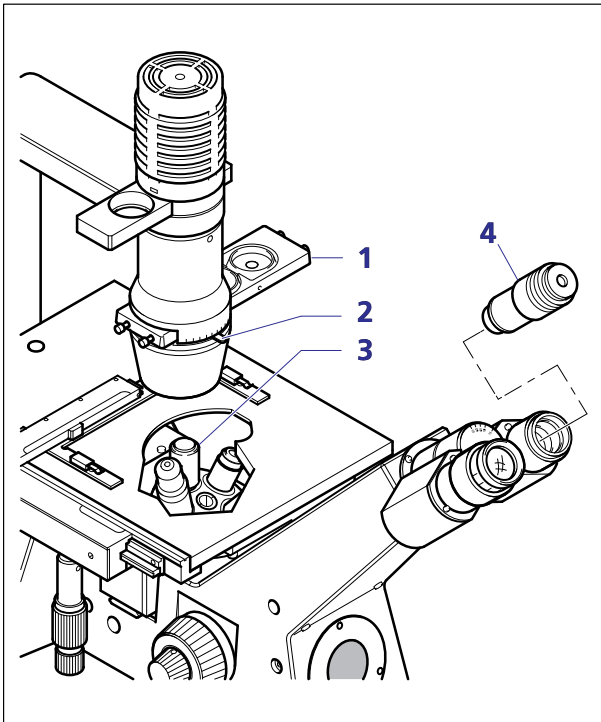


Figure 2-15 Viewing in phase contrast

- Preparations as described in section 2.4 and 2.4.1.

NOTE Phase-contrast objectives are labeled in green.

- Swing phase-contrast objective (2-15/3) in the beam path.
- Open the aperture diaphragm (2-15/2) entirely.
- Insert the auxiliary lens (2-15/4) in one of the tubes instead of an eyepiece and make the phase rings of the objective visible by focusing the eyelens.
- The phase ring of the phase-contrast objective appears as a gray ring in the bright pupil (2-16/A).

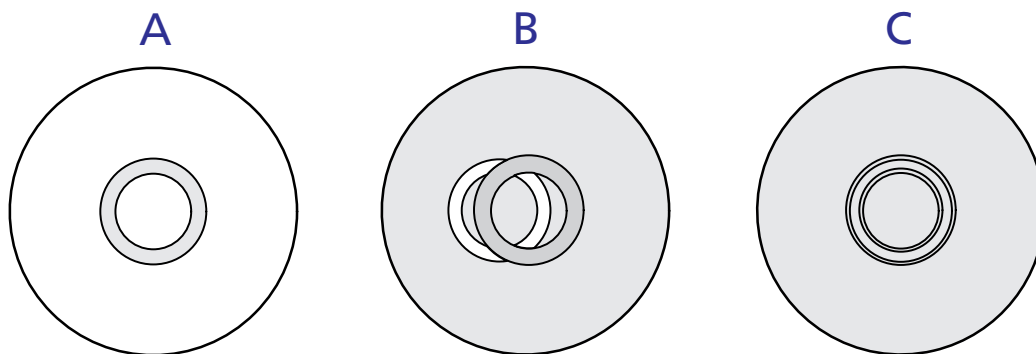


Figure 2-16 Illustration of phase-contrast adjustment

- Slide the annular diaphragm (2-17/1) of the Ph/H/Ph slider (2-15/1) matching the objective and the inserted condenser in the beam path. The phase ring of the objective appears centrally in the field of view, while the bright annular stop may be out of center (2-16/B).
- Use the centering screws (2-17/3) on the Ph/H/Ph slider to move the phase ring and the annular diaphragm until they are flush. The gray phase ring of the objective must cover the bright ring stop completely (2-16/C).

NOTE Should the setting range of the centering screws not be sufficient, please check whether the condenser is at the front stop and the Ph/H/Ph slider has engaged. Exact imaging of the annular diaphragm requires a plane-parallel object.

- Replace the auxiliary lens with the eyepiece again.
- The center position of the Ph/H/Ph slider permits brightfield illumination, the brightness of which is matched to that of the phase-contrast image via an attenuation filter (gray filter) (2-17/2).
- When using different Ph objectives with Ph0, Ph1 and Ph2, pay attention to the correct allocation of the annular diaphragms (see table).

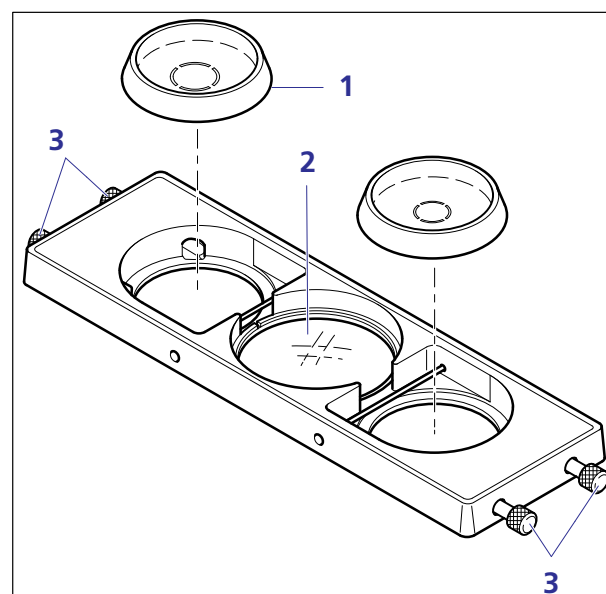


Figure 2-17 Insertion of the ring diaphragm

Objective	Ring and VAREL diaphragms for					
	Condenser 0.55		Condenser 0.4		Condenser 0.2	
CP-Achromat 5x/0.12 Ph0	–	–	Ph0 - 0.4	451255	Ph0 - 0.2	451261
CP-Achromat 10x/0.25 Ph1	Ph1 - 0.55	451258	Ph1 - 0.4	451256	Ph1 - 0.2	451260
CP-Achromat 10x/0.25 Ph1/Var1	Ph1 - 0.55	451258	Ph1 - 0.4	451256		
	Var1 - 0.55	451252	Var1 - 0.4	451251		
LD-Achrostigmat 20x/0.30 Ph1	Ph1 - 0.55	451258	Ph1 - 0.4	451256	Ph1 - 0.2	451260
LD-Achrostigmat 20x/0.30 Ph1/Var1	Ph1 - 0.55	451258	Ph1 - 0.4	451256		
	Var1 - 0.55	451252	Var1 - 0.4	451251		
LD-Achrostigmat 32x/0.40 Ph1	Ph1 - 0.55	451258	Ph1 - 0.4	451256	Ph1 - 0.2	451260
LD-Achrostigmat 32x/0.35 Ph1/Var1	Ph1 - 0.55	451258	Ph1 - 0.4	451256		
	Var1 - 0.55	451252	Var1 - 0.4	451251		
LD-Achrostigmat 40x/0.55 Ph2	Ph2 - 0.55	451259	Ph2 - 0.4	451257		
LD-Achrostigmat 40x/0.50 Ph2 Var2	Ph2 - 0.55	451259				
	Var2 - 0.55	451253				

- Loosen the centering screws to allow the inserted annular diaphragm to be exchanged for another one.

2.4.4 VAREL contrast

VAREL contrast provides a relief-like image of specimens and can be used as an alternative to phase contrast. VAREL contrast can also be used on curved surfaces, e.g. 96 microtiter plates, for which no contrast can be achieved with phase contrast (no flush ring positioning!).

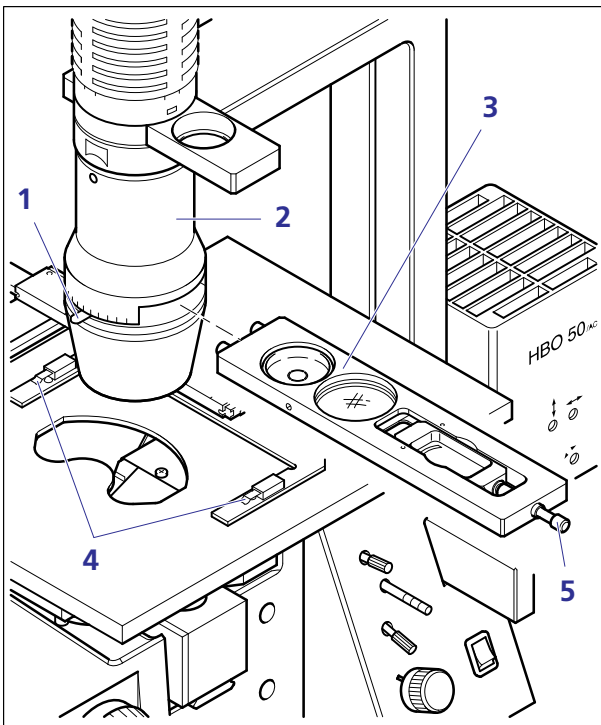


Figure 2-18 VAREL contrast observation

- Preparations as described in section 2.4 and 2.4.1.
- Open the aperture diaphragm (2-18/1) completely.
- Insert the specimen with the suitable holding frame in the holding clips (2-18/4) of the specimen guide.
- From the right, push the Ph/H/Var slide (2-18/3) into the slider mount on the 0.4 or 0.55 condenser up to the VAREL position.
- Swivel in the required VAREL objective.
- Use the adjusting screw (2-18/5) to move the left or right VAREL diaphragm opening (after selecting the engaging position) until optimum VAREL contrast is achieved (relief-like impression).

NOTE Microtiter plates:
Select the opposite VAREL ring of the diaphragm for illumination at the edge of the cavity; in the middle of the cavity, the left or right VAREL ring can be used.

Specimen field with relevant pupil image of the VAREL diaphragm (diaphragm appears rotated by 180°)

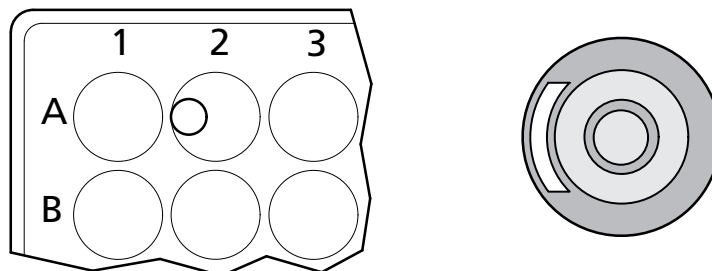


Figure 2-19 VAREL contrast with microtiter plates

NOTE

- Shifting the VAREL illumination to outside the pupil corresponds to one-sided darkfield illumination.
- Shifting the VAREL illumination between the Ph and VAREL rings of the objective corresponds to inclined brightfield illumination.
- The middle engaging position of the Ph/H/Var slider permits brightfield illumination.
- The left engaging position of the Ph/H/Var slider permits the fast change from VAREL to Ph contrast.

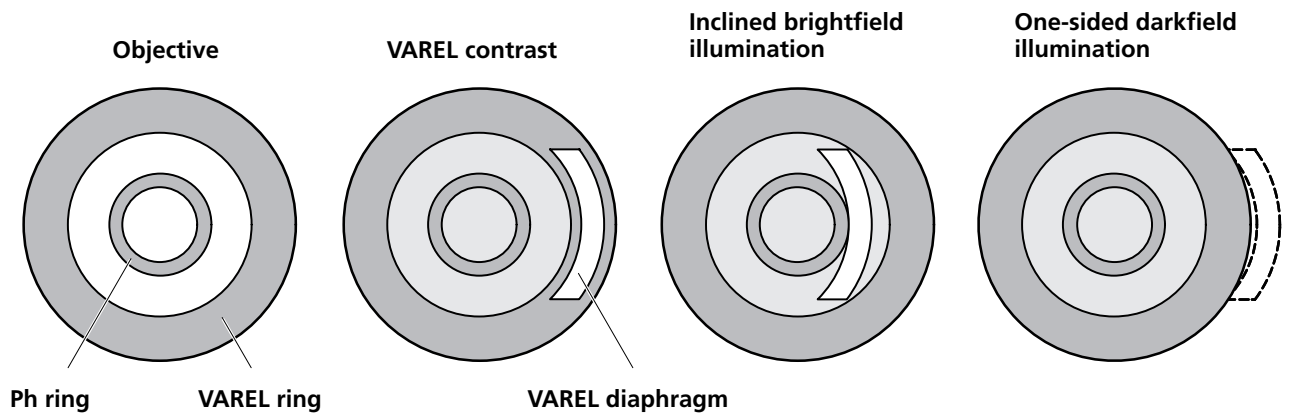


Figure 2-20 Pupil images in VAREL contrast

Preparing the Var/H/Var slider for phase contrast

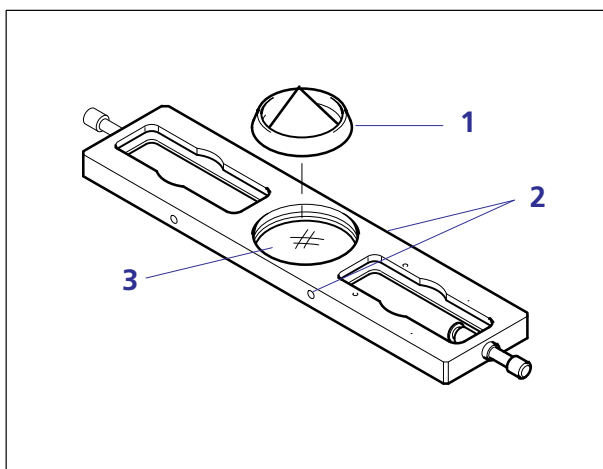


Figure 2-21 Var/H/Var slider

- Remove the attenuation filter (2-21/3) from the center position of the slider (remove spring and filter).
- Insert the ring diaphragm mount (2-21/1) (contained in the delivery package of the slider). If required, loosen centering screws (2-21/2) using the key.
- Insert ring diaphragm in ring diaphragm mount and center the ring diaphragm with regard to the phase ring of the objective using the centering screws (one centering screw at each side of the slider).

2.4.5 Reflected light fluorescence

requires the use of the Axiovert 25 CFL microscope stand.

- Select a point on the specimen in transmitted light brightfield or phase contrast. To do this, switch the reflector mount (2-22/10) to free passage, switch on the halogen lamp (2-22/2) and move the phase slider (2-22/3) to the middle position (brightfield) or to the position with the ring diaphragm (phase contrast).
- Switch on the HBO 50 lamp (2-22/5) by means of the power supply unit, but block the light path using the additional filter slider (2-22/6).
- After selecting the specimen position, cover the transmitted light beam path by means of the cover plate (2-22/11) in the Ph/3-fold slider (2-22/3) or switch off the halogen lamp.
- With the reflector mount (2-22/10), slide in the required filter combination (2-22/9) and release the light path by pulling the additional filter slide (2-22/6).
- By means of the push rod (2-22/7), close the luminous field diaphragm until it is visible in the image, move it to the middle position by means of the centring screws (2-22/8) and open it up to the edge of the field of view.
- Additional excitation filters with a diameter of 25 mm, which must be held by means of zero rings, can be inserted in the additional filter slider (2-22/6) of the reflected light unit FI.
- The additional filter slider (2-22/6) allows no light to pass in the center stop position.

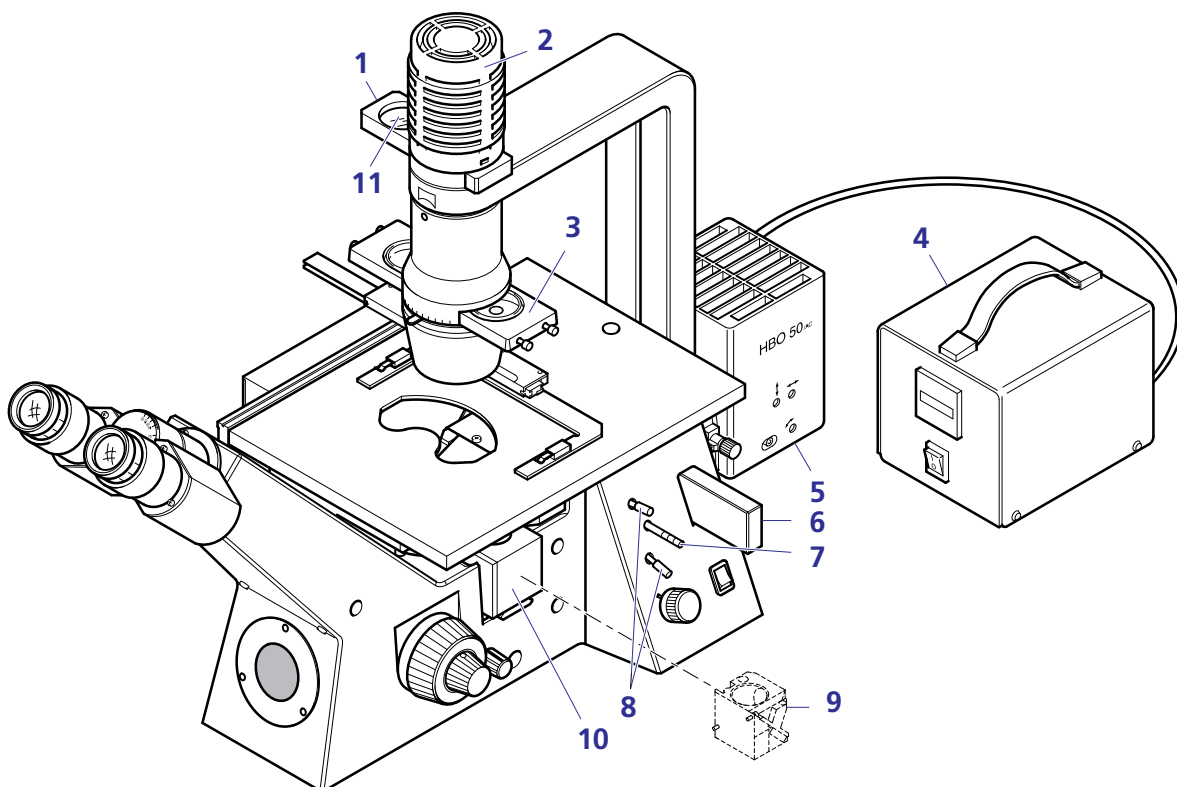


Figure 2-22 Observation under reflected light fluorescence

2.5 Working with the specimen guide M and holding frames

- Preparations as described in section 2.4 and 2.4.1.
- Attach specimen guide M as described in section 2.1.2(5).

In conjunction with various holding frames (2-23/3), e.g. for 76 x 26 mm specimen mounts (2-23/2), the specimen guide M (2-23/6) offers the possibility of sensitive movement by means of a coaxial drive (2-23/4).

Defined indication of the positions of vessels is possible thanks to adhesive sales (2-23/5), which are supplied with the chosen holding frame and which must be attached in recesses on the specimen guide. Holding frames are secured by means of holding clips (2-23/1).

Figure 2-24 overleaf shows the line of available holding frames. Please inquire about further holding frames for COSTAR, CORNING and tissue culture bottles, Hamax plates, Coates plates and plankton plates etc.

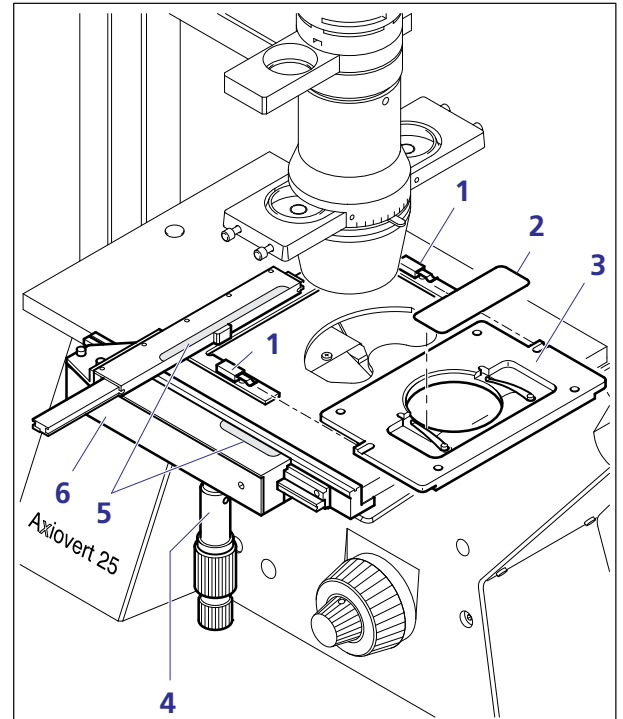


Figure 2-23 Working with specimen guide M

- 1 Holding frame M for specimen mounts, 76 x 26 mm
- 2 Holding frame M for Petri dishes; \varnothing 36, 54, 65, 88 mm
- 3 Holding frame M for microtiter plate 96 pos.
- 4 Holding frame M for microtest plates 60, 72, 120 pos.
- 5 Holding frame M for multidishes (133.5 x 88.5 mm)
- 6 Universal holding frame for the use of:
 - Petri dishes in the range from 35 to 60 mm
 - Petriperm dishes
 - Terasaki plates
 - Hamax plates
 - Cell cultivation chambers such as
 - TSCS-1, -2 and -3
 - POC chamber
 - ROSE chamber
 - DVORAK-STOTLER chamber etc.
- 7 Universal mounting frames MX (max. 133x88 mm, min. 124x83 mm)
 - Multidishes with 6, 12, 24, 48 or 96 positions
 - Petridishes with dia. between 87 and 92 mm

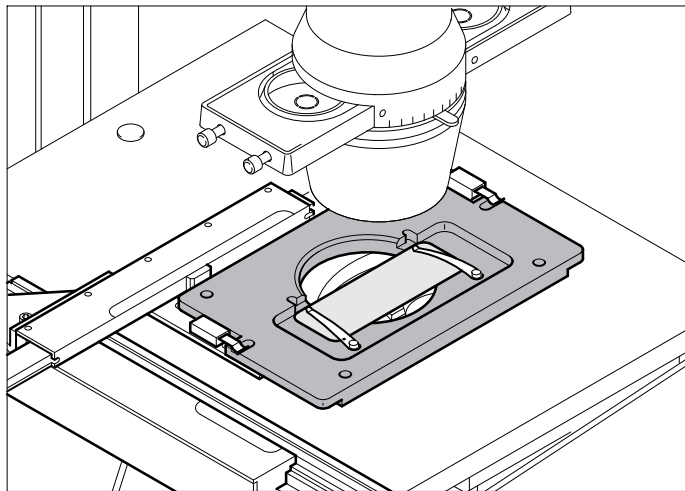
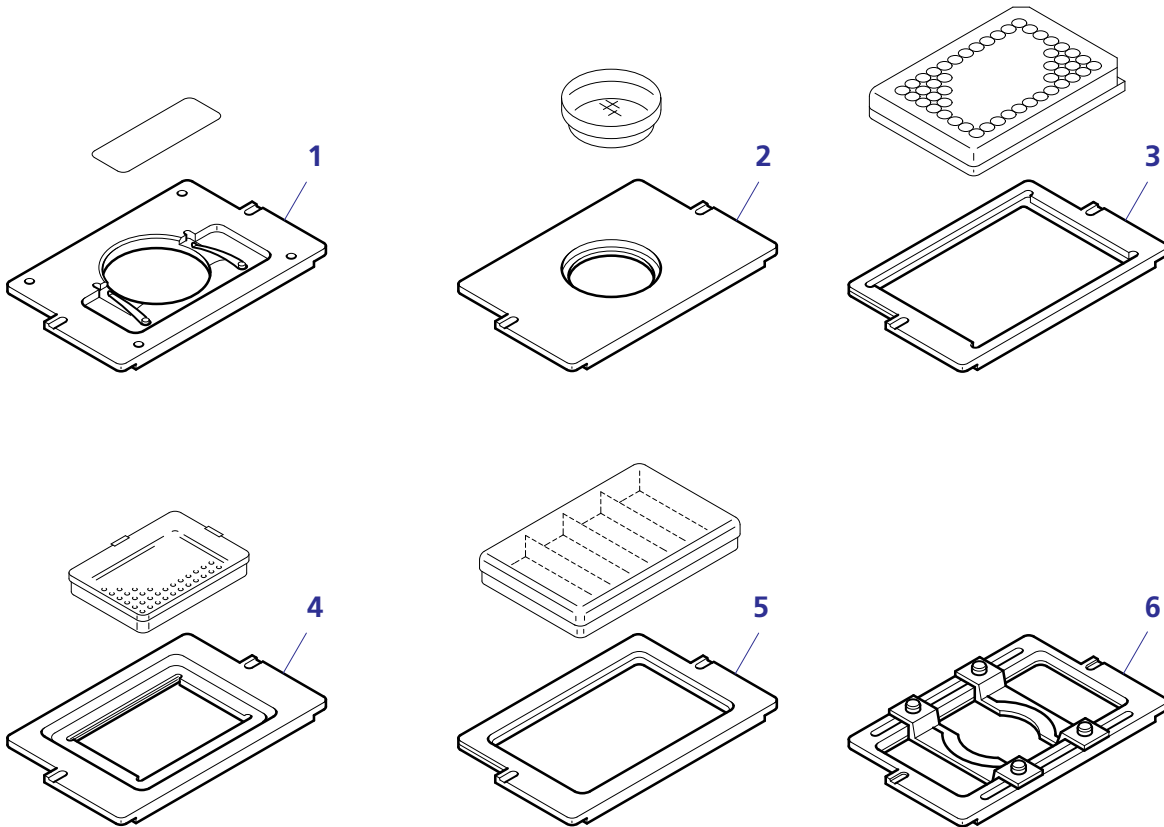


Figure 2-24 Selection of available holding frames

2.6 Using the focusing eyepiece

Measuring and counting plates or photo reticles are needed for microscopic measuring and counting. A small selection is shown below:

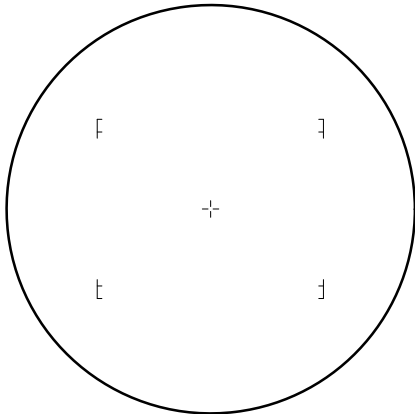
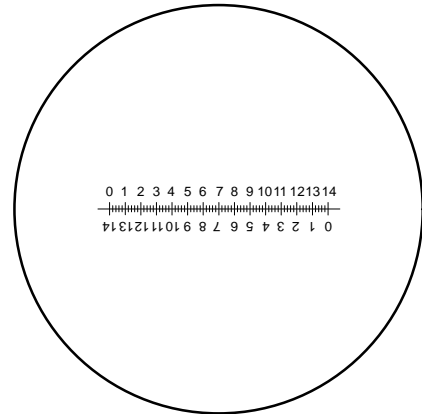


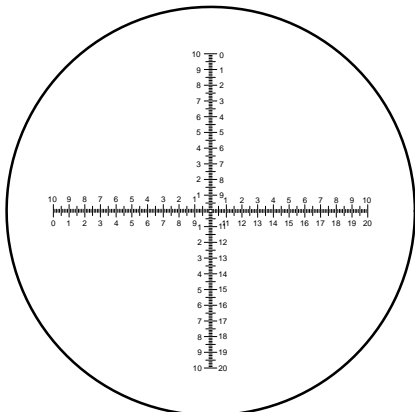
Photo reticle MC 10x/d = 26

Order No. 454075



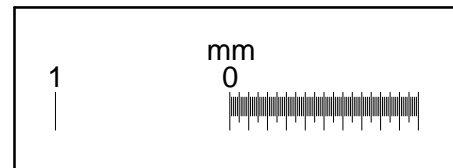
Reticle micrometer 14:140/d = 26

Graduation length = 14 mm
 Increments = 0.1 mm
 Graduation error ≤ 0.001 mm
 Order No. 454060



Eyepiece measuring plate 2x20:200

Graduation length = 20 mm
 Increments = 1 mm
 Graduation error ≤ 0.001 mm
 Order No. 454089



**Object micrometer, positive 5+100/100y
 D = 0.17 in receptacle**

5 mm graduation in one direction in 5 intervals,
 graduation in the other direction 1 mm in 100/100 mm = 10 μ m.
 Accuracy ± 1 μ m
 Order No. 474026

Figure 2-25 Selected eyepiece or object measuring plates

NOTE

- Operation of the eyepiece plates is described in section 2.1.2(10).
- Further eyepiece reticle plates with $d = 26$ mm can also be used (see price list).

2.7 Working with micromanipulators

The Axiovert microscopes are prepared as follows for the attachment of micromanipulators:

- Three M4 threaded holes (2-26/1) on the left and right underside of the stage.
- Three M5 threaded holes (2-26/2) on the left and right sides of the stand.
- Four M5 threaded holes (2-26/3) on the underside of the stand for securing the stand.

Refer to manufacturers' information on micromanipulators for further details of how to attach micromanipulators, if necessary using special adapters.

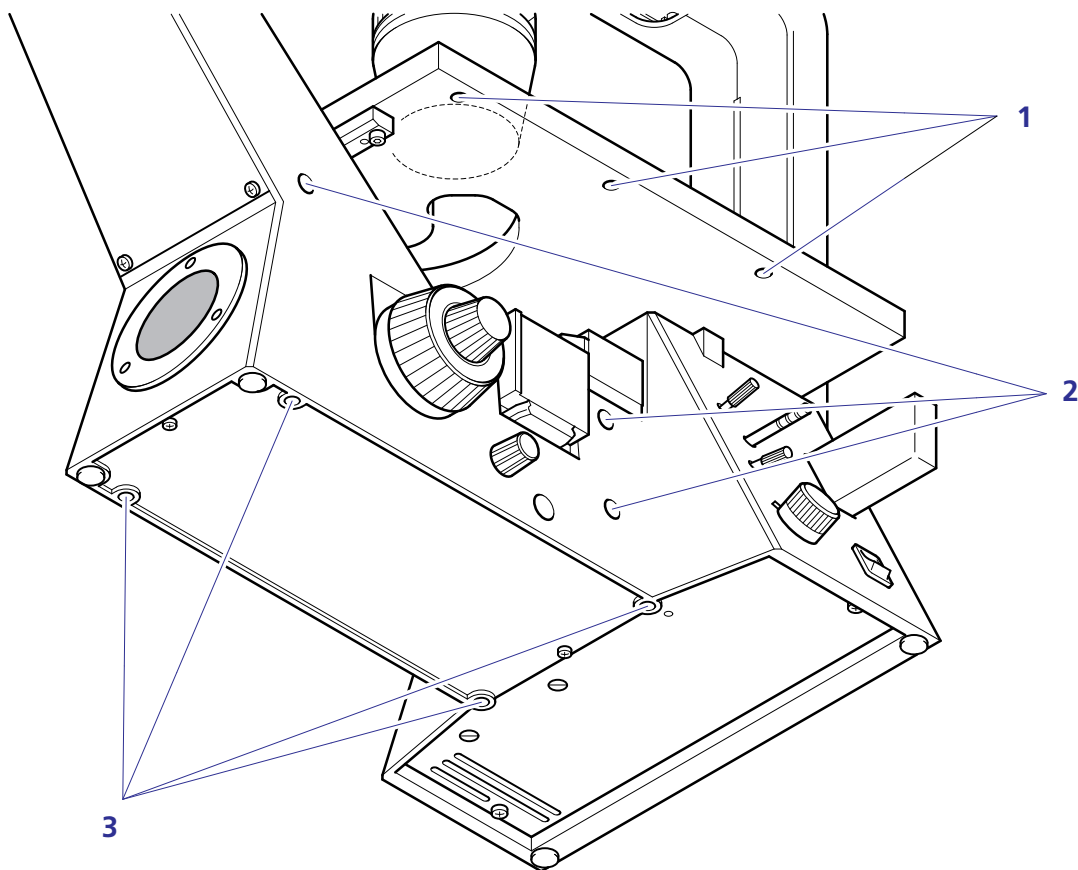


Figure 2-26 Possibilities of screwing on micromanipulators

2.8 Stage replacement

- Remove the screw cover (2-27/1) from the stage surface.
- Using a 3 mm ball-head screwdriver, remove three securing screws (2-27/2) and the stage (2-27/3).
- Fit and secure the selected stage ((glass stage (Section 2.8.1) or heating stage (Section 2.8.2)).

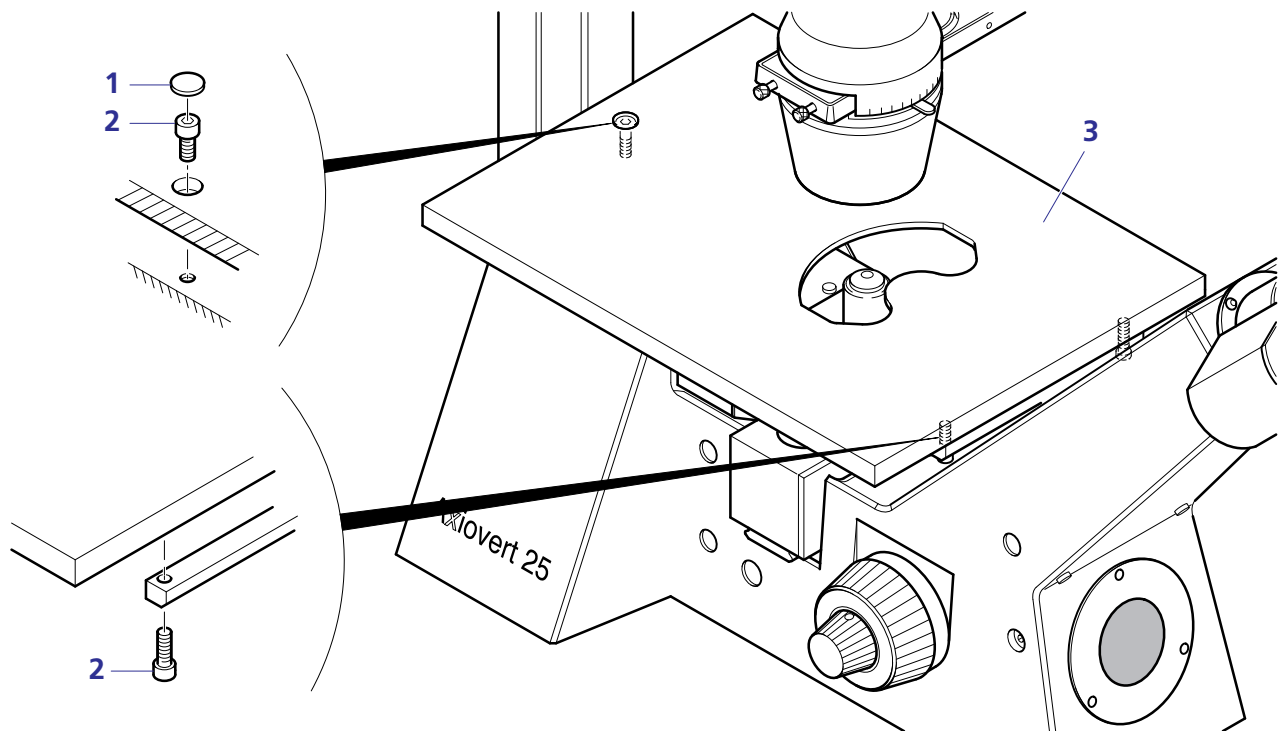


Figure 2-27 Replacing the stage

2.8.1 Glass stage

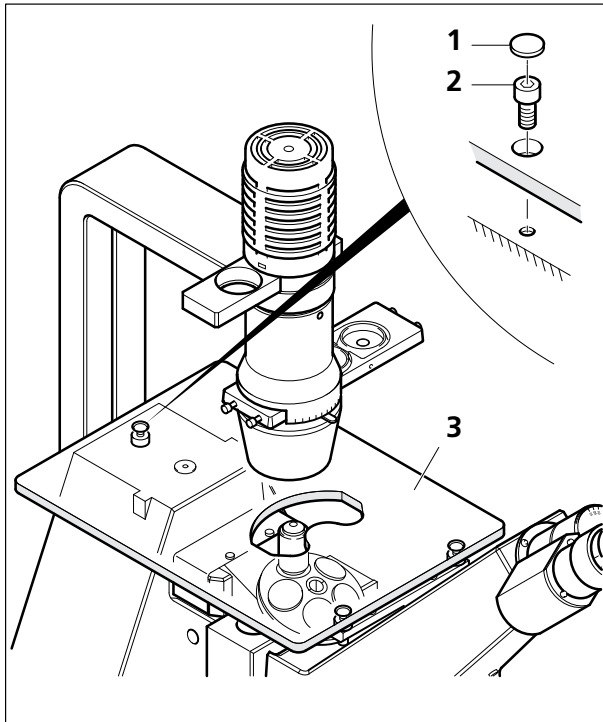


Figure 2-28 Insertion of the glass stage

The glass stage (2-28/3) enables convenient working with simultaneous observation of the objectives and easily meets the high demands on cleanliness.

Installation

- Fit the glass stage onto the stage coupling point using the spacers.
- Secure the glass stage on the stand using the securing screws (2-28/2).
- Seal the rear holes on the surface of the glass stage by means of the cover (2-28/1).

NOTE When using the glass stage, make sure that the objective front is no more than max. 3 mm above the stage surface in order to avoid hitting the stage when the objectives are changed. If necessary, the nosepiece must be lowered.

2.8.2 Heating stage

A heating stage is available for the Axiovert 25 microscope. It consists of:

- Heating microscope stage M (471820 9901), three spacers are contained in the package
- Hot plate (471841) and
- TempControl 37-2 (471842).

Assembly must be performed in accordance with section 2.8.

For the operation of the heating microscope stage, please see manual G 42-527.

The air temperature unit (471824) can also be used to control the temperature of the object spot in the imaging beam path.

2.9 Documentation

2.9.1 Photomicrography

The Axiovert 25 C and 25 CFL microscopes can be changed from observation to photomicrography by switching the beam path. Since this is a 100% changeover, simultaneous observation and photography is not possible. The 2.5x/T2 camera adapter allows commercially available 35 mm cameras to be attached to the microscope.

- Remove dust cover (2-29/2) or camera lens from the camera housing (2-29/1).
- Attach camera-specific T2 adapter (2-29/6) to the relevant camera housing.
- Remove both dust covers (2-29/3, 5) from the 2.5x/T2 camera adapter (2-29/4).
- Screw thread of 2.5x/T2 camera adapter in the appropriate T2 adapter (2-29/6).
- Remove dust cover (2-29/8) from the camera port and attach the premounted camera system to the camera port until stop, align it horizontally and tighten the clamping screw (2-29/9) using the SW 3 ball-head screwdriver (2-29/7).

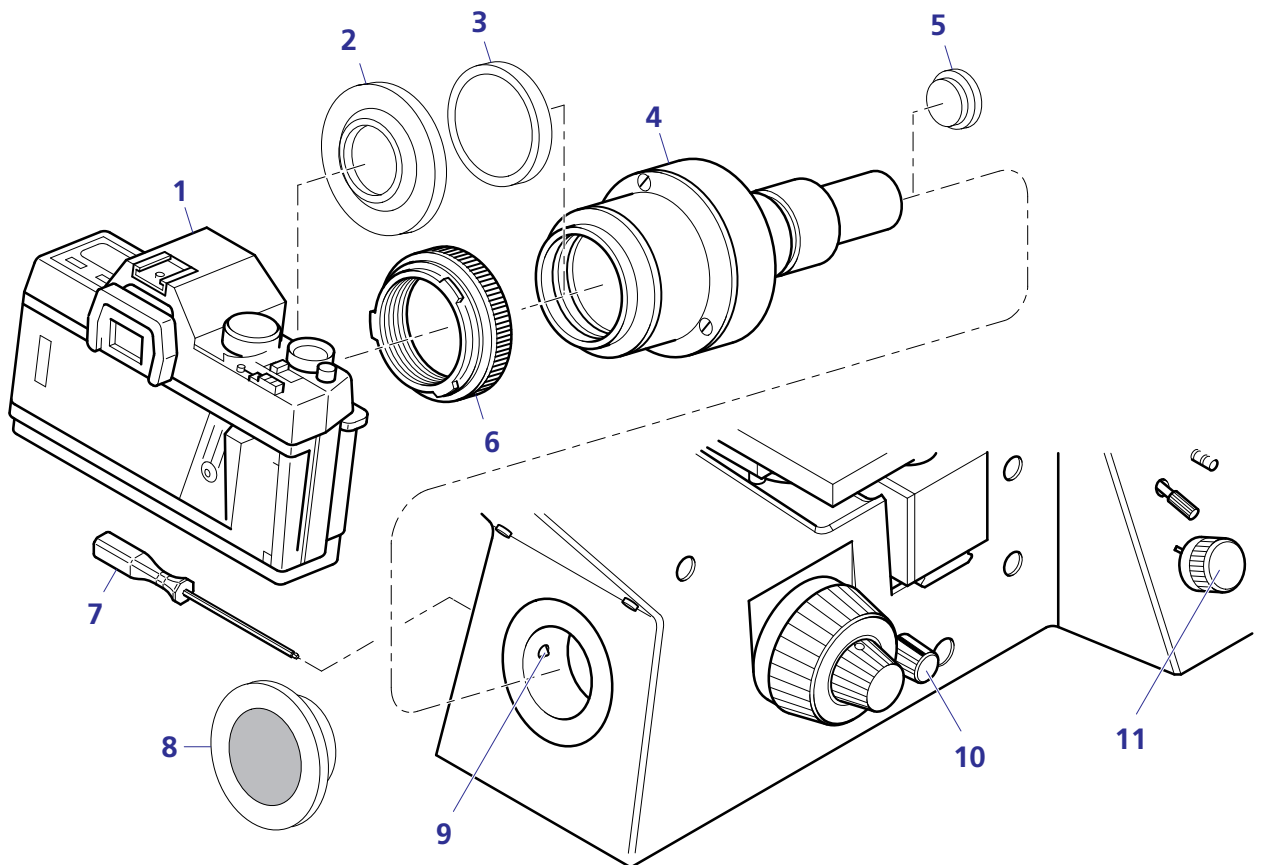


Figure 2-29 CONTAX 167 MT camera

- Switch on the microscope; when using color film (artificial light), set the "illuminance" control (2-29/11) to maximum brightness (right stop position: 3200 K) and use an attenuation filter if required.
- Select the object detail to be photographed via the binocular tube.

NOTE To determine the image section and for the precise focusing of the image, the focusing eyepiece must be equipped with the photo reticle MC 10x/dia. 26 (see section 2.6).

- Switchover of the beam path (2-29/10) from observation to photomicrography releases the camera beam path and allows 100% of the light to reach the camera.
- The camera system must be operated in accordance with the camera manual.

NOTE

- The magnification on the film is the product of the objective magnification and the factor 2.5 of the camera adapter.
- The most usual T2 adapters are listed in the list of accessories.

2.9.2 Video microscopy

- The Axiovert 25 C and 25 CFL microscopes allow videomicroscopy via the camera/video port using the video adapters ENG 1/2" 0.5x (2-30/1) or C 1/2" 0.5x (2-30/2).
- The video equipment is attached in the same way as the camera (described in section 2.9.1).

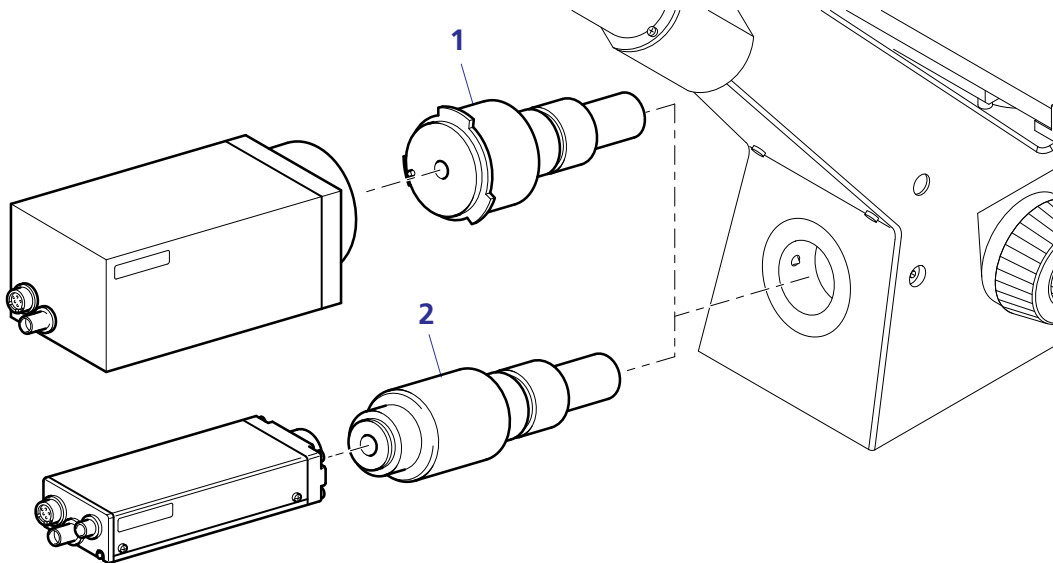


Figure 2-30 Video attachment

3 Maintenance and troubleshooting

3.1 Maintenance

Maintenance of the the Axiovert 25 microscope is limited to the following operations:

- Cover the instrument with the dust cover after every use.
- Clean exposed optical components whenever required.
- Carefully remove moisture deposit or precipitated aggressive vapor using a dry cloth.
- Protect the instrument from temperatures above 50 °C, frost, humidity, chemically aggressive vapor/substances.
- Remove dust from optical surfaces using a rubber blower or a natural hair brush which can be degreased in alcohol and dried afterwards. Remove stubborn dirt and fingerprints using a dust-free cloth or leather; breathe on the dirty surface, if required.
Clean the front lenses of the objectives using petroleum ether, but do not use alcohol.
- Use commercially available optics cleaning cloths to remove stubborn dirt; if necessary, lightly moisten the cloths with petroleum ether.

When using the Axiovert 25 microscope in humid climatic zones, proceed as follows:

- Store the Axiovert 25 microscope in bright, dry and well ventilated rooms with a humidity of less than 85 %; store particularly sensitive components and accessories, such as objectives and eyepieces, in a dry closet.
- When storing the equipment in closed cases for a longer period of time, the growth of fungus can be avoided by including cloths soaked in fungicide in the cases.

- NOTE** The risk of growth of fungus on opto-mechanical instruments always exists in the following conditions:
- relative humidity of more than 75 % and temperatures between +15 °C and +35 °C for more than 3 days;
 - installation in dark rooms without air ventilation;
 - dust deposits and fingerprints on optical surfaces.

3.2 Troubleshooting and service

Troubleshooting on the Axiovert 25 is limited to only a few actions:

- Check the line voltage
- Checking the illumination equipment
 - Change of fuses as described under (1)
 - Change of halogen lamp as described under (2)
 - Change of HBO 50 lamp as described under (3)
 - Change of reflector as described under (4)

(1) Checking the line voltage

- Check the line cable (3-1/3) and replace it, if necessary.
- Remove the fuse holder (3-1/1) by pressing in the direction of the arrows and check the fuses (3-1/2); replace defective fuses.

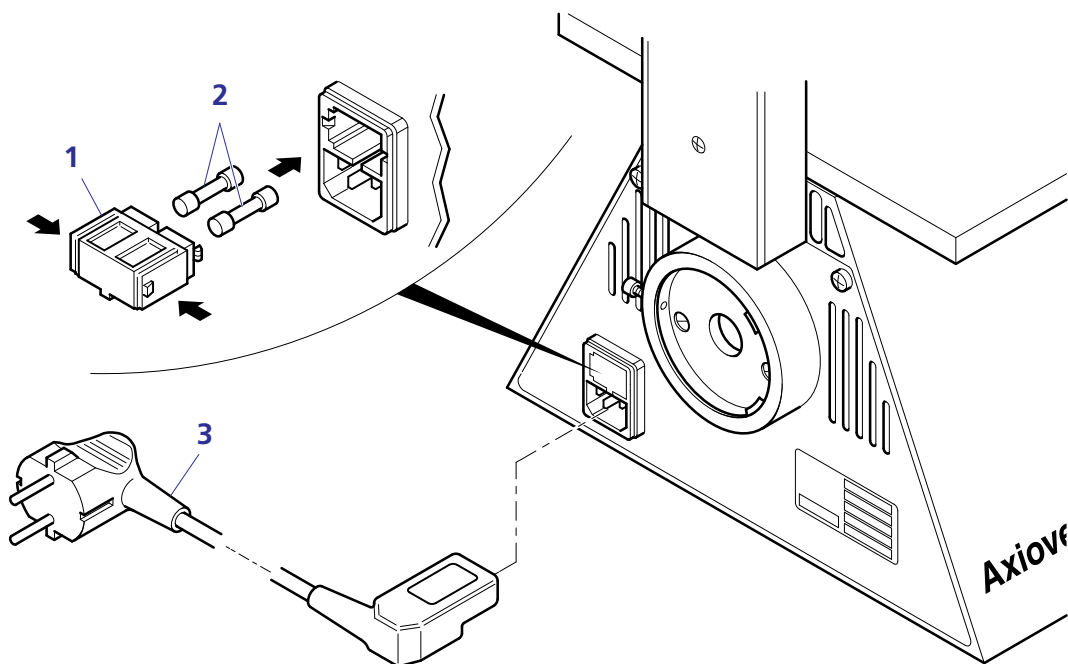


Figure 3-1 Checking the line voltage

(2) Change of halogen lamp

Proceed as follows to change the lamp:

- Disconnect the instrument from the line.
- Unlock the housing (3-2/1) by slightly turning it counterclockwise and remove it.
- Remove the halogen lamp with adjustment base (3-2/2) after a cooling time of approx. 15 minutes.
- Remove new 6 V, 30 W halogen lamp with adjustment base from the packing box and insert it in the mount; the tip of the mount must engage in the centering notch of the carrier plate.

IMPORTANT Do not touch the lamp bulb with your bare hands; if required, clean the bulb using pure alcohol **before** switching on for the first time in order to stop dust from burning in.

- Attach housing again after changing the halogen lamp and lock it.

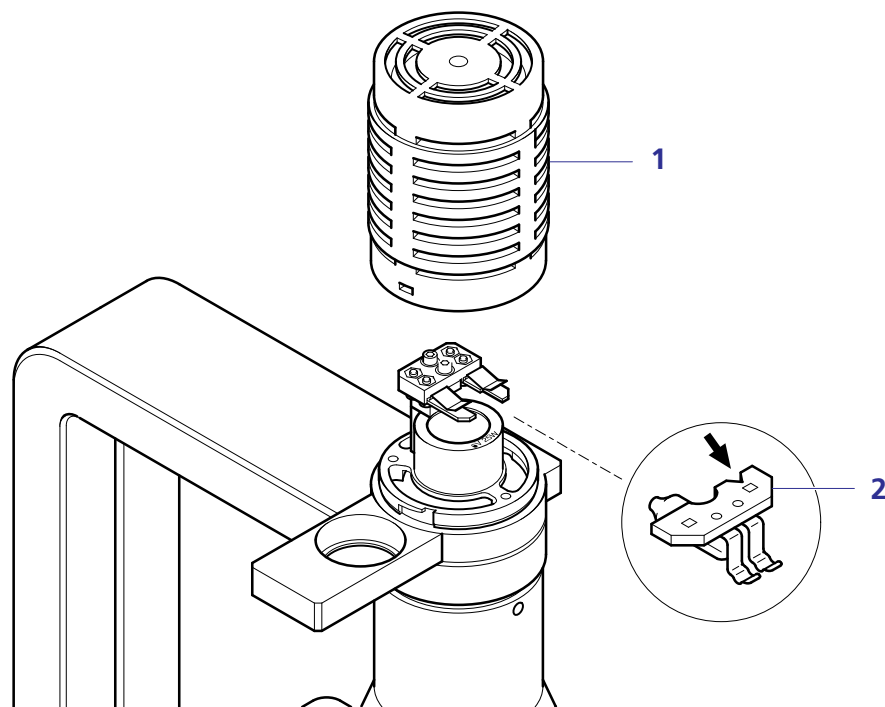


Figure 3-2 Change of halogen lamp

(3) Change of HBO 50 lamp

The HBO 50 illuminator is used for reflected light fluorescence excitation. It consists of the following items:

- HBO 50 illuminator 447220
- Collector, aspherical (field number 20) 447271
- HBO 50 mercury vapour short arc lamp HBO 50 381619
- Power supply unit for HBO 50 230/240 V 392642-9902
- Power cable 380137-6750

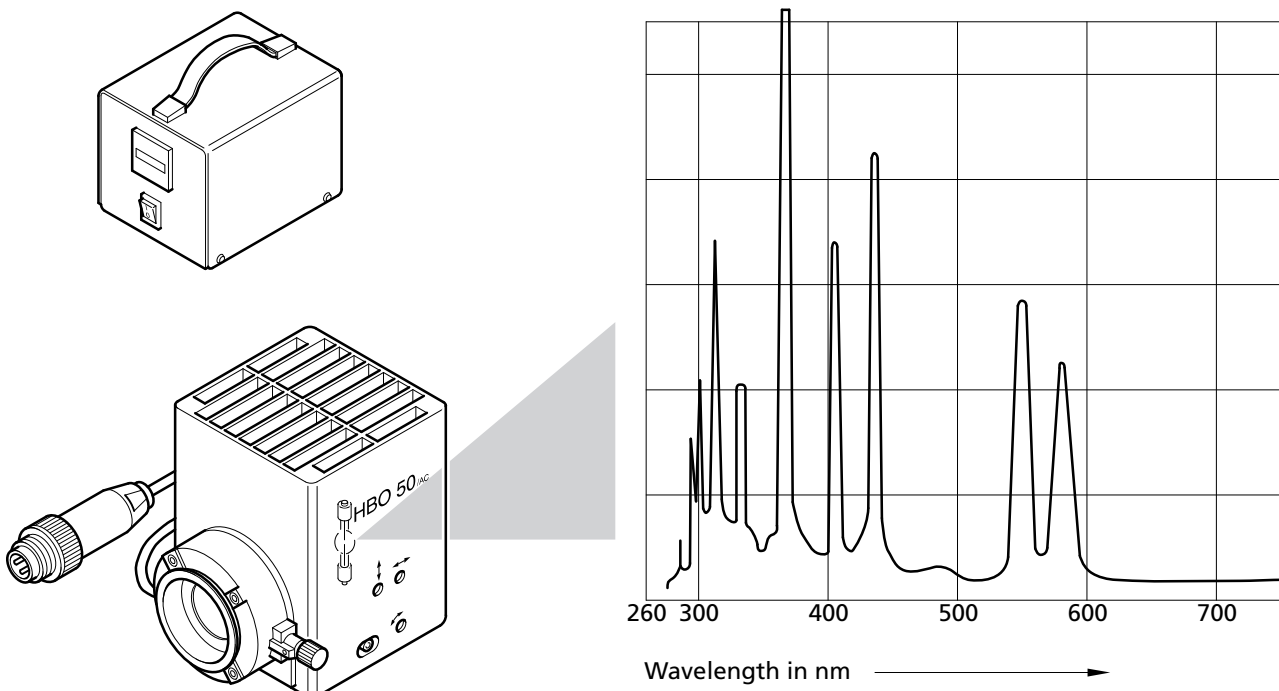


Figure 3-3 HBO 50 illuminator and line spectrum

Safety notes for use

CAUTION The HBO 50 is under high pressure during operation. It may therefore only be operated in a closed microscope illuminator.

- The cooling process of the lamp housing must not be obstructed by covers.
- The HBO 50 must cool down for approx. 15 minutes before the lamp can be changed.
- The lamp emits UV radiation during operation. Protect your eyes and skin from this radiation. It is recommended to wear safety goggles when handling the microscope illuminator.

CAUTION The HBO 50 must be replaced after expiry of its average life of 100 h. When the average life is exceeded, the risk of explosion increases.
The operating time of the HBO 50 can be read from the hour meter.



This warning plate on the rear of the illuminator means:

Caution: hot surface!

Allow the lamp to cool down before touching it.

Change of lamp

CAUTION Switch off power unit and remove plug of lamp mount from the socket of the power unit. Allow lamp and lamp housing to cool down (approx. 15 min.).

- Remove HBO 50 illuminator from the microscope stand after loosening the clamping screw.
- Place the illuminator on a flat work surface.
- Loosen screw (3-4/1) using the SW 3 screwdriver supplied and remove the lamp housing (3-4/2).
- Press down spring lever (3-4/5), hold lamp (3-4/4) on heatsink (3-4/3) and pull it out of the lamp mount.
- Place the heatsink with lamp on the work surface in such a way that the clamping screw on the heatsink is accessible.

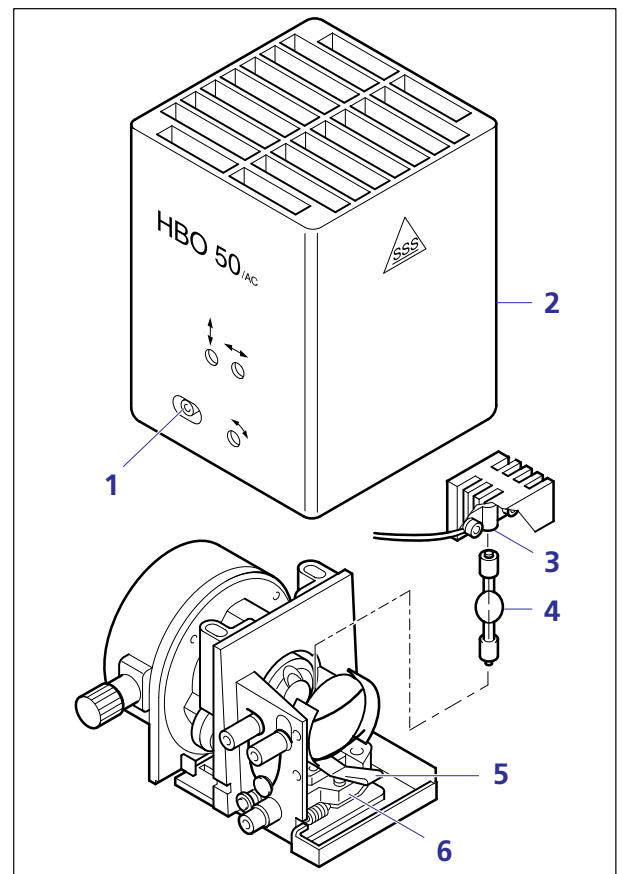


Figure 3-4 Change of HBO 50 lamp

- Use the SW 3 screwdriver to loosen the clamping screw on the heatsink and remove the used lamp.

CAUTION The cable on the heatsink must not be removed.

- Hold the new lamp on the marked metal base and insert it in the heatsink in such a way that its reflecting part is at the bottom when inserted in the mount. The reflecting melt-off part of the lamp must point to the side (to avoid interference with the image).
- Carefully tighten the clamping screw on the heatsink.
- Avoid fingerprints on the glass parts of the lamp; if required, remove fingerprints immediately.
- Press down spring lever and insert the lamp in the mount while holding it on the heatsink.
- Slowly release pressure from spring lever and let go of the heatsink.

CAUTION The heatsink must be aligned parallel to the lamp housing. The position of the heatsink can be corrected by pressing down the spring lever and turning the heatsink.

- Attach the lamp housing to the lamp base and tighten screw (3-4/1).
- Attach the microscope illuminator to the microscope stand.
- Note down the number indicated on the operating hours counter of the power supply unit. The HBO lamp must be replaced when the nominal life of 100 hours has been reached.

Lamp adjustment

CAUTION Never look directly into the ignited lamp in order to avoid (irreparable) damage to your eyes.

Use protective eyewear, e.g. sunglasses, to protect your eyes when observing the bright light spot.

- Unscrew an objective and check the image of the light source via the empty opening on a piece of paper in the object plane (on the object stage).
- Use the knurled knob (3-5/5) to focus the collector until both light arcs are in focus.
- Use adjusting screw (3-5/1) to set the lamp axially to the reflector until both light arcs are equally large, as shown in Figure 3-6.
- Use SW 3 screwdriver and the adjusting screws for height (3-5/2) and side (3-5/3) adjustment to centrally position the arc image next to the arc, as shown in Fig. 3-6.
- Screw the objective in the nosepiece again.
- Set the reflector mount to blue excitation, e.g. by using filter set 09.
- Set the additional filter slider to open light passage.

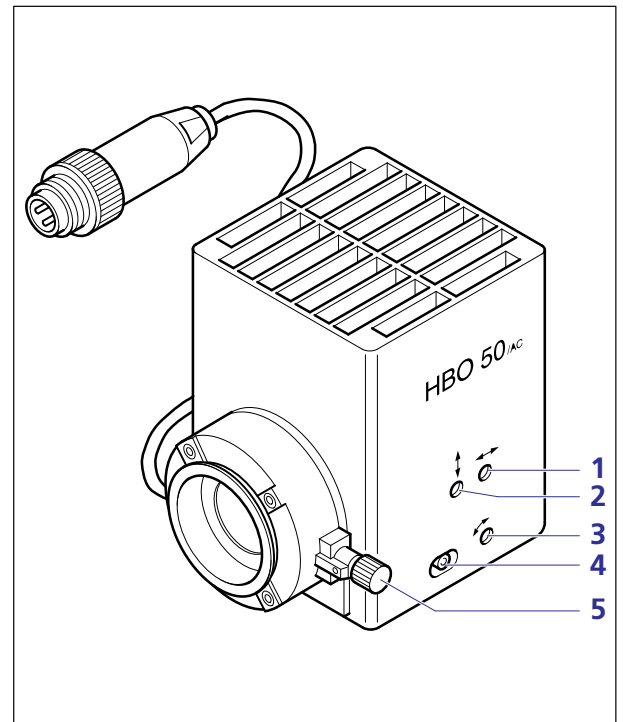


Figure 3-5 Adjustment of HBO 50

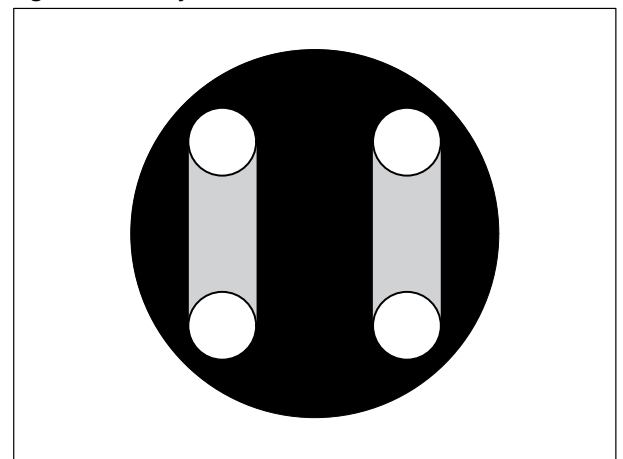


Figure 3-6 Lamp image

(4) Change of reflectors FI

The reflectors are equipped in the factory with the appropriate filter sets consisting of excitation filter, dichroic beam splitter and barrier filter.

However, it is possible to allow the use of any required FI filter set.

Two examples of available filter sets:

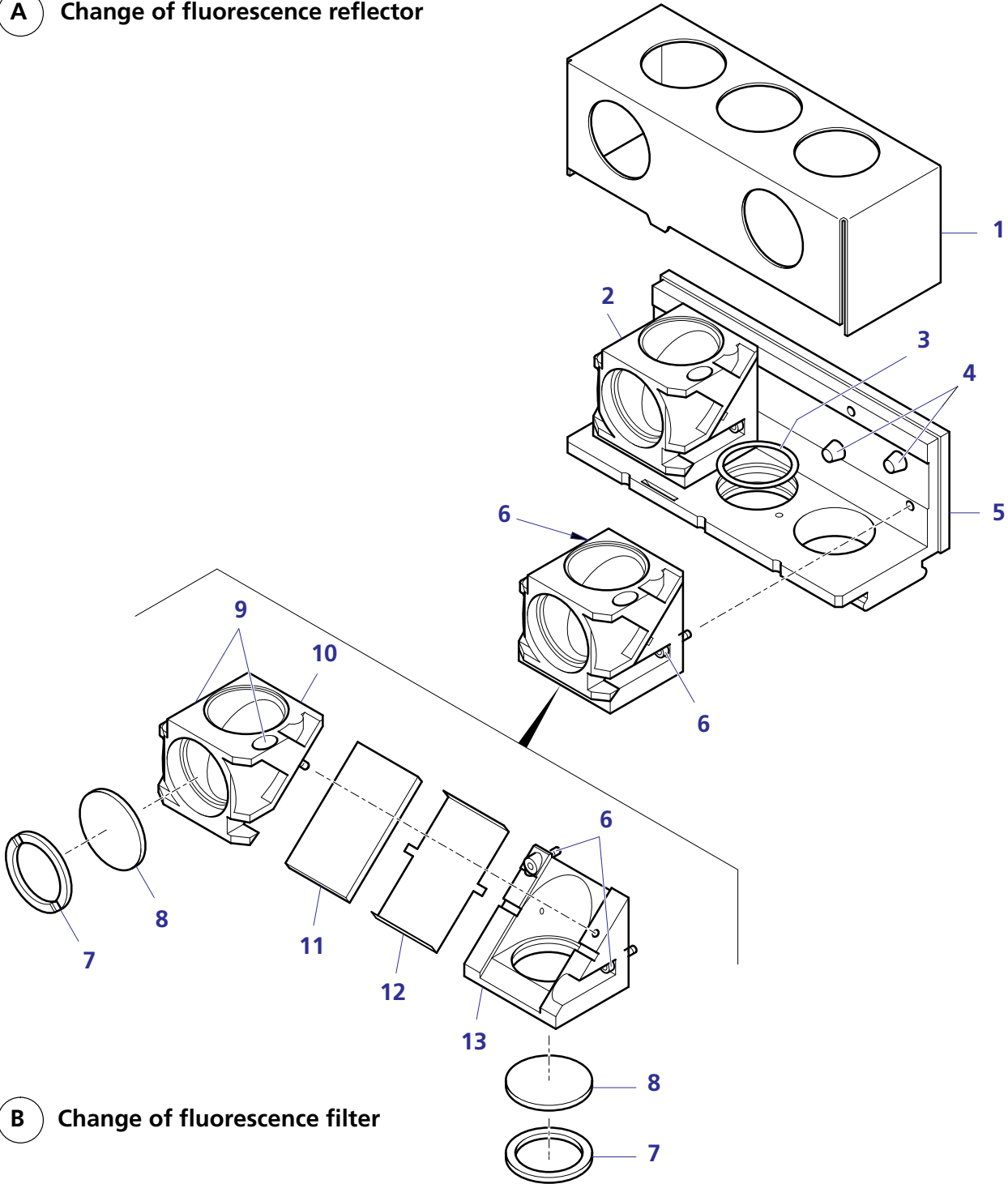
Blue 450-490 (487909)	consisting of	BP 450-490 FT 510 LP 520
Green H 546 (487915)	consisting of	BP 546/12 FT 580 LP 590

For further filter sets please see the price list!

- Pull reflector mount (3-7/5) out of the Axiovert 25 microscope.
- Remove cover (3-7/1).
- Loosen two screws (3-7/6) using SW 2.5 screwdriver, remove FI reflector module (3-7/2) and replace it with required, readily equipped reflector module, or insert a new filter set in the reflector module.
 - Unscrew screw-on rings (3-7/7) in front of the excitation and barrier filter (3-7/8).
 - Unscrew excitation and barrier filter (3-7/8) using the suitable wrench, change filters and secure them using screw-on rings (3-7/7); follow the instructions for the installation of filters!
 - Loosen screws (3-7/9) using SW 2.5 screwdriver and remove the mount for excitation filters (3-7/10).
 - Change the dichroic beam splitter (3-7/11) in spring-mounted frame (3-7/12) and attach the frame to the mount for barrier filters (3-7/13); follow the instructions given on the information sheet included in the packaging.
 - Attach mount for excitation filters (3-7/10) to mount for barrier filters (3-7/13) with dichroic beam splitter and mounting frame and secure it using screws (3-7/9).
 - Attach equipped reflector module to the guide pins (3-7/4) in the reflector mount and secure it using screws (3-7/6).
- Mark the position of the reflector mount (window is visible when the reflector mount is pushed in) using the adhesive label supplied.
- Insert the reflector mount in the Axiovert 25 microscope

NOTE The free passage of the reflector mount allows dia. 25 mm filters to be inserted which are held by a zero ring (3-7/3).

A Change of fluorescence reflector



B Change of fluorescence filter

Figure 3-7 Operating the FI reflector module



(5) Service

All repairs of mechanical, optical or electronic components inside the instrument and of the electrical components of the Axiovert 25 may only be performed by Carl Zeiss service staff or specially **authorized** personnel.

To ensure the optimum setting and trouble-free function of your microscope over a longer period of time, we would recommend that you conclude a service/maintenance contract with Carl Zeiss.

In the case of subsequent orders or when service is required, please get in touch with your local Carl Zeiss agency.

Further information can also be found at the following internet adress:
www.zeiss.de/micro

ANNEX

- List of key words
- List of abbreviations
- Certification in accordance with ISO 9001/EN 29001/EN 46001
- EC conformity declaration



Axiovert 25, Axiovert 25 C, Axiovert 25 CFL



List of key words

	Page
A	
Accessories	1-13
Ambient conditions	1-5
Assembly	2-1
B	
Binocular tube	2-7
Brightfield illumination	2-11
C	
Change of lamp	3-5
Components, overview	1-8
Condenser	2-10
Counting plates	2-19
D	
Design	
Mechanical	1-3
Optical	1-4
Dimensions	1-5
Documentation	2-23
E	
Eyepiece	2-6
Eyepiece measuring plate	2-19
Eyepiece plate	2-7



	Page
F	
Filter sets	3-8
Fluorescence filter replacement	3-9
Fluorescence reflector replacement	3-9
Free operating distances	2-9
Function elements	1-18
Axiovert 25	1-20
Axiovert 25 C	1-21
Axiovert 25 CFL	1-22
Fuse holder	2-5
G	
Glass stage	2-21, 2-22
H	
HBO 50 lamp	2-3
Heating stage	2-21, 2-22
Holding frames	2-4, 2-17, 2-18
I	
Illumination and contrasting techniques	2-10
Installation	2-2
L	
Lamp adjustment	3-7
Lamp replacement	
Halogen lamp	3-3
HBO 50	3-4
LD objectives	2-9
Light sources	1-6
Line	2-5
Line spectrum	3-4
Line voltage	2-5, 3-2



	Page
M	
Main assemblies	1-3
Maintenance	3-1
Mass	1-5
Measuring plates	2-19
Micromanipulators	2-20
Microscope equipment	1-8
Microscopy methods	1-1
Microtiter plates	2-14
Myopia	2-6
O	
Object micrometer	2-19
Objectives, screwing in	2-2
On/Off switch	2-5
Operability	2-5
Operating data	1-5
Operation	2-1
Optical system	1-4
Optical system schematic	1-4
Optical/mechanical data	1-6
P	
Packing units	2-1
Phase contrast	2-12
Phase contrast adjustment	2-12
Photo reticles	2-19
Photomicrography	2-23
Purpose	1-1
R	
Ready for operation	2-5
Reflected light fluorescence	2-16
Reflector FI, replacement	3-8
Reticle micrometer	2-19
Reticules	2-7
Ring diaphragm slider	2-3
Ring diaphragms	2-13



	Page
S	
Service	3-2, 3-10
Specimen guide	2-4, 2-17
Stage replacement	2-21
Start-up	2-8
T	
Technical data	1-5
Troubleshooting	3-1, 3-2
U	
Unit, features	1-2
Unit, switching on	2-8
Unpacking	2-1
V	
VAREL contrast	2-14
Video microscopy	2-24

List of abbreviations

BP	Bandpass
Br.	Spectacle wearer
C	Camera
CB	<u>C</u> onversion <u>B</u> lue
Corr	corrected
CP	Clinical Plan
D	Cover glass thickness
DF	Dark field
DIN	German standards institute
EG	European Community
EN	European standard
ENG	<u>E</u> lectronic <u>N</u> ews <u>G</u> athering
FWD	Free working distance
Fl	Fluorescence
foc.	focusing
FT	Colour splitter
HAL	Halogen lamp
HBO	Mercury vapour short arc lamp
HF (H)	Bright field
ICS	<u>I</u> nfinity <u>C</u> olour-corrected <u>S</u> ystem
IEC	<u>I</u> nternational <u>E</u> lectrotechnical <u>C</u> ommission
IP	<u>I</u> nternational <u>P</u> rotection
ISO	<u>I</u> nternational <u>O</u> rganisation for <u>S</u> tandardization
LD	<u>L</u> ong <u>D</u> istance
LP	Long pass
Ph	Phase
PI	Plane
SFZ	Field-of-view number
SLR	<u>S</u> ingle <u>L</u> ens <u>R</u> eflex
Var	VAREL
vis.	Visual



Axiovert 25, Axiovert 25 C, Axiovert 25 CFL
