


PROBE	PH MASDVT1000S6 BL1.3 N/C/H	 NMR Probe Department
KA Order No.		
Ext. Order No.	6258388	
Part No./ Serial No.	H170062-0001	

Schematic

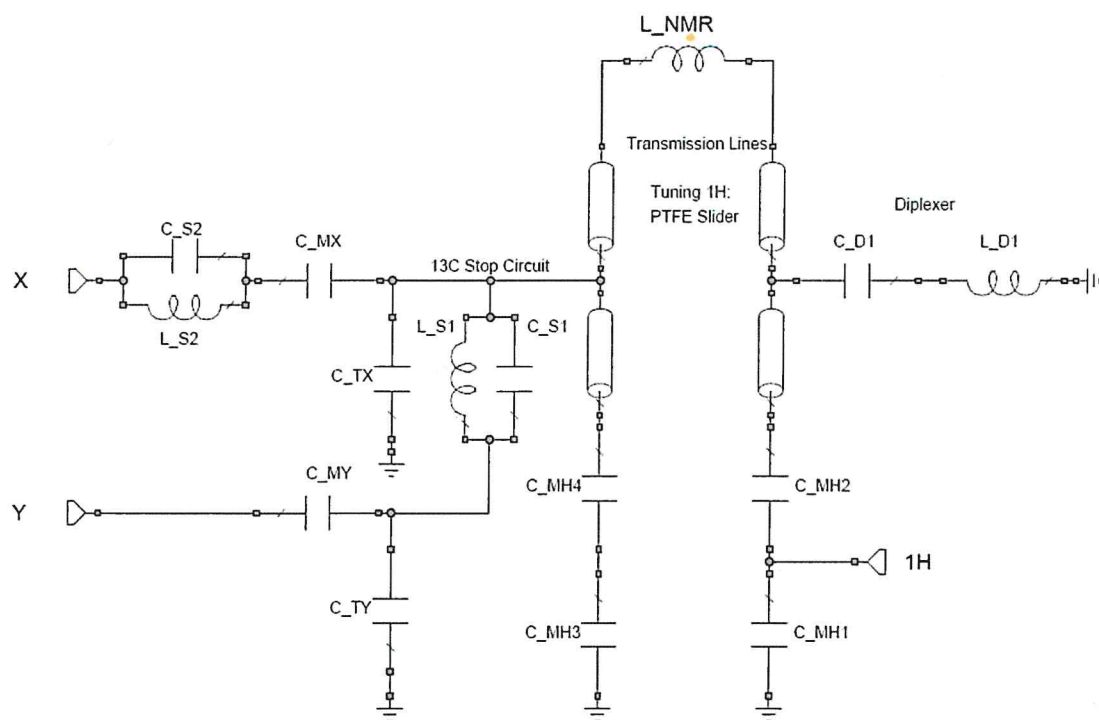


Table of Values

	Value	Part No.	Comment
L _{NMR}		HZ15601	NMR Coil
TL		H174190	Transmission Line Pair
C _{MH1}	0.8 – 5.0 pF	67837	¹ H Matching Capacitor
C _{MH2}		n/a	¹ H Matching Capacitor
C _{MH3}	0.8 – 5.0 pF	67837	¹ H Matching Capacitor
C _{MH4}		n/a	¹ H Matching Capacitor
C _{MX}	0.8 – 5.0 pF	67837	X Matching Capacitor
C _{TX}	0.8 – 5.0 pF	67837	X Tuning Capacitor
C _{MY}	0.8 – 5.0 pF	67837	Y Matching Capacitor
C _{TY}	0.8 – 5.0 pF	67837	Y Tuning Capacitor
C _{S1}	15 pF	36551	X Stop Circuit – Capacitor
L _{S1}	L 4-1-3		X Stop Circuit – Inductor
C _{S2}	100 pF	89129	Y Stop Circuit
L _{S2}			Y Stop Circuit
C _{D1}	39 pF	1800737	Diplexer – Capacitor 2
L _{D1}	L 4-1-4		Diplexer – Inductor

Measured values

Nucleus	1H	13C	15N	
X _L / MHz	980	249.7	100.9	
X _H / MHz	1034	252.8	105.8	
ΔF / MHz	7.4	4.0	2.3	
Q	192	120	67	
Isolation from/ dB				
1H	--	-19	-18	
13C	-19.5	--	-26	
15N	-14.5	<-30	--	