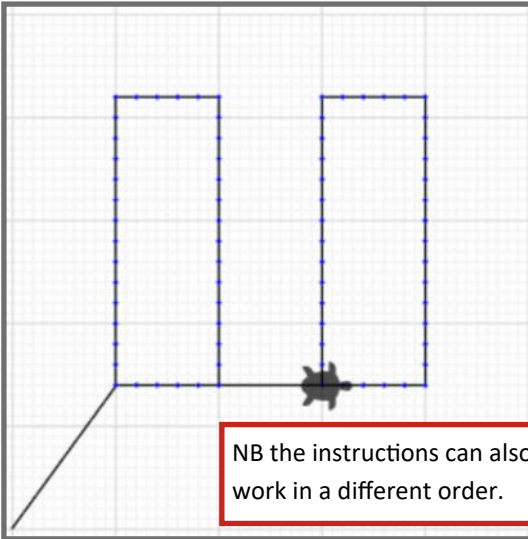


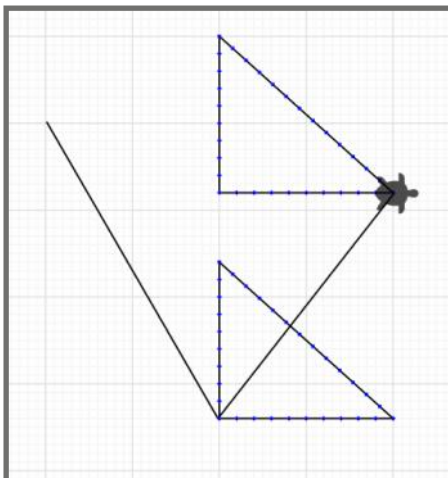
Turtlestitch Maths **Answers**

Translation using coordinates



```

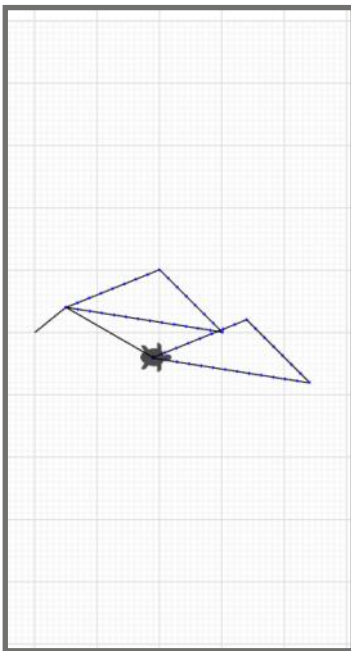
go to x: 50 y: 70
running stitch by 10 steps
go to x: 100 y: 70
go to x: 100 y: 210
go to x: 50 y: 210
go to x: 50 y: 70
stop running
x + 100
go to x: 150 y: 70
running stitch by 10 steps
go to x: 200 y: 70
go to x: 200 y: 210
go to x: 150 y: 210
go to x: 150 y: 70
    
```



```

go to x: 100 y: -170
running stitch by 10 steps
go to x: 200 y: -170
go to x: 100 y: -80
go to x: 100 y: -170
stop running
y + 130
go to x: 200 y: -40
running stitch by 10 steps
go to x: 100 y: 50
go to x: 100 y: -40
go to x: 200 y: -40
    
```

NB the instructions can also work in a different order.



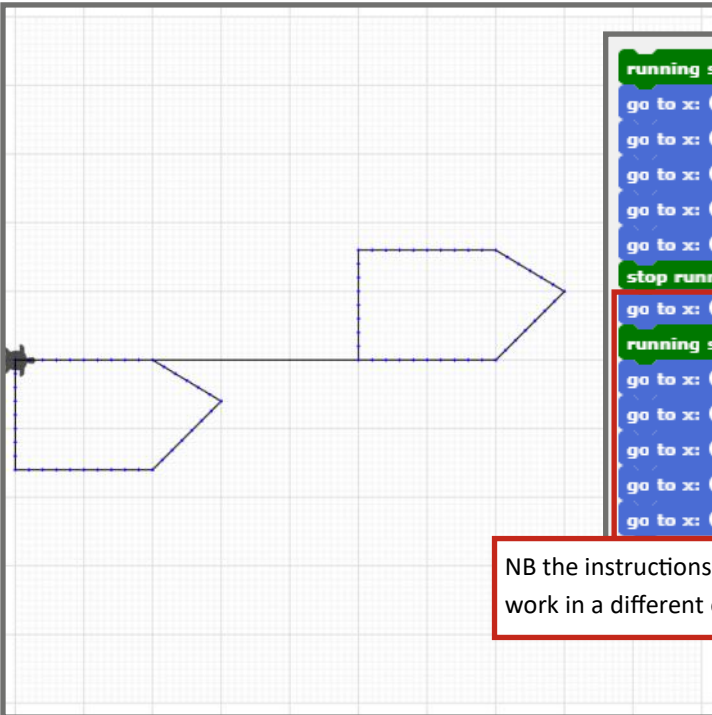
```

go to x: 25 y: 20
running stitch by 10 steps
go to x: 100 y: 50
go to x: 150 y: 0
go to x: 25 y: 20
stop running
go to x: 95 y: -20
running stitch by 10 steps
go to x: 170 y: 10
go to x: 220 y: -40
go to x: 95 y: -20

```

x + 70
y + 130

NB the instructions can also work in a different order.



```

running stitch by 10 steps
go to x: 0 y: 80
go to x: 100 y: 80
go to x: 150 y: 50
go to x: 100 y: 0
go to x: 0 y: 0
stop running
go to x: -250 y: 0
running stitch by 10 steps
go to x: -150 y: 0
go to x: -100 y: -30
go to x: -150 y: -80
go to x: -250 y: -80
go to x: -250 y: 0

```

x - 250
y - 80

NB the instructions can also work in a different order.